
Yale UX Series

Electric Rider Stacker

MS15XUX / 1500kg



MS15XUX

The Yale® electric rider stacker MS15XUX delivers a low cost of operation while increasing user productivity. These robust stackers can optimise vehicle loading and unloading operations, as well as boosting pallet transportation rates over both short and long distances.

► Productivity

- Maintenance free AC motor
- Multi-function display with BDI and hour meter
- Emergency reversing button
- Auto deceleration function
- Low speed switch
- Variable speed control
- Side battery roll-out system is very convenient to replace batteries
- Mast cushioning for low-noise operation
- Built-in pressure relief valve protects from overloads
- Emergency power disconnect switch
- Cushioned ergonomic platform
- Cold store configuration (option)

► Optimum Structural Design

- Low centre of gravity enhances stability
- Full free lift mast options for low overhead clearance
- Durable plastic covers
- Adjustable balance casters improve stability

► Serviceability

- Low voltage protection setting extends the battery life
- CANbus technology
- Simple electronic components makes troubleshooting and servicing more efficient
- Hall effect sensors reduce wear and increase component life



Handle (Standard)
(Left & Right Handed)



Fork Lengths to Suit All
Applications



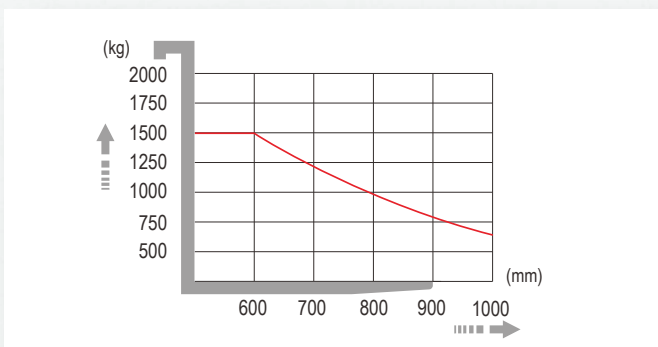
One Sided
(Cold Store)



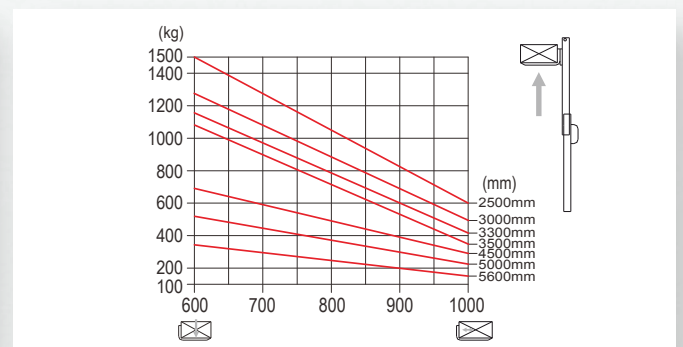
Two Sided
(Cold Store)

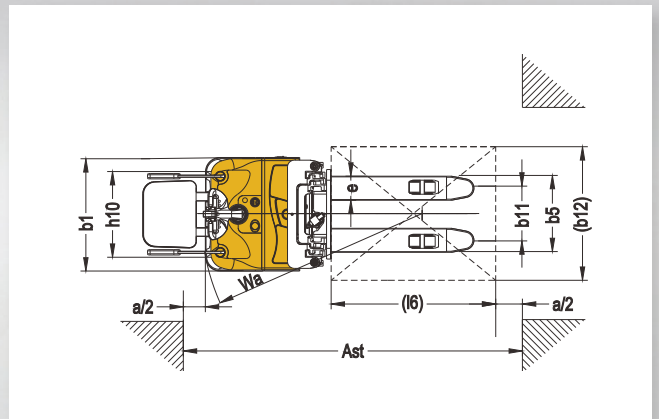
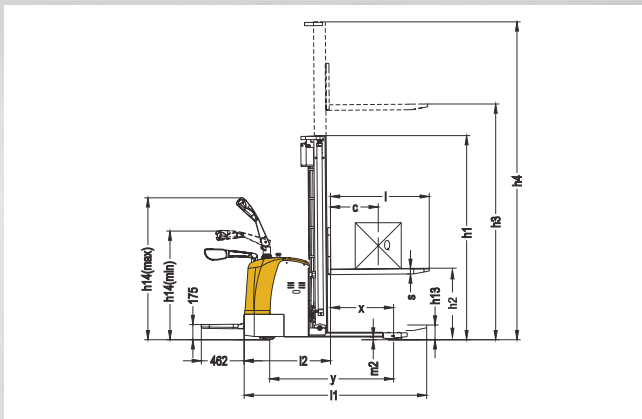
Load Charts

► Load Centre Chart



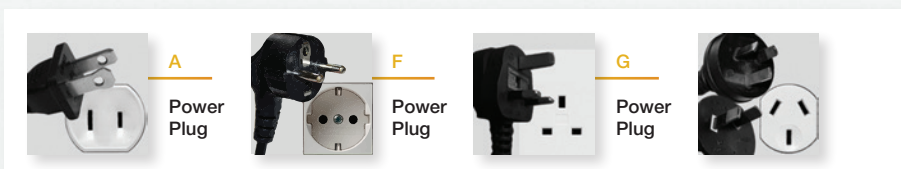
► Load Capacity Chart





Model	Measurement	MS15XUX							
Load capacity/rated load	Q (kg)	1500							
Load centre distance	c (mm)	600							
Load distance, centre of drive axle to fork	x (mm)	672							
Wheelbase	y (mm)	1378							
Fork height, lowered	h13 (mm)	85							
Tyre size, front	mm	250x70							
Tyre size, rear	mm	80x84							
Additional wheels (dimensions)	mm	150x60							
Wheels, number front rear (x=driven wheels)		1x+2/4							
Height, mast lowered	h1 (mm)	1735	1985	2135	2235	2050	2410	2410	
Free lift (option 2500~3500mm)	h2 (mm)	0	0	0	0	1570	1940	1940	
Max. lift height	h3 (mm)	2500	3000	3300	3500	4500	5600	5600	
Height, mast extended	h4 (mm)	2955	3455	3755	3955	5030	6110	6110	
Height of tiller in drive position min./max.	h14 (mm)	1150/1450							
Overall length	l1 (mm)	2020/2100							
Length to face of forks	l2 (mm)	950							
Overall width	b1 (mm)	850							
Fork dimensions	s/e/l (mm)	60/180/1070 (1150)							
Width overall forks	b5 (mm)	570/695							
Aisle width for pallets 800x1200 lengthways	Ast (mm)	2515							
Turning radius	Wa (mm)	1655							
Drive motor power	kW	1.2							
Lift motor power	kW	3.0							
Sound level at the driver's ear according to DIN12503	dB (A)	70							
Travel speed, laden/unladen	Km/h	6.5/6.7							
Lift speed, laden/unladen	m/s	0.11/0.14							
Lowering speed, laden/unladen	m/s	0.12/0.12							
Battery voltage, nominal capacity K5	V/Ah	24/240					24/300 (option)		
Battery weight	kg	220					260		
Battery dimensions l/w/h	mm	675x254x500					675x254x540 (option)		
Service weight (with battery)	kg	1240/1270/1285/1490/1520/1560/1580 ¹							

▶ MS15XUX Power Plug Type



Yale® Dealers

Contact your nearest
Yale® Dealership by visiting
www.yale.com.au



Contact your local Yale® Dealer

Yale Pacific

1 Bullecourt Avenue, Milperra NSW, Australia 2214

Tel: +61 (2) 9795 3800 | Fax: +61 (2) 9792 8484

yale.com/pacific/en-au


Yale Asia

16 Tuas Avenue 20, Singapore 638827

Tel: +65 6863 3387 | Fax: +65 6863 3349

yale.com/asia/en-sg

Yale, and PEOPLE. PRODUCTS. PRODUCTIVITY are trademarks of Hyster-Yale Group, Inc.

 is a registered copyright of Hyster-Yale Group, Inc.

©Yale Asia Pacific 2020. All rights reserved. Specifications and details in this brochure are subject to change without prior notification.

www.yale.com.au



Manufactured in our own ISO 9001 and 14001 Registered Facilities

Trucks may be shown with optional equipment.

Yale
People. Products. Productivity.™