

---

# Yale

Lithium-Ion Powered Pallet Truck

MPC15 / 1500 KG

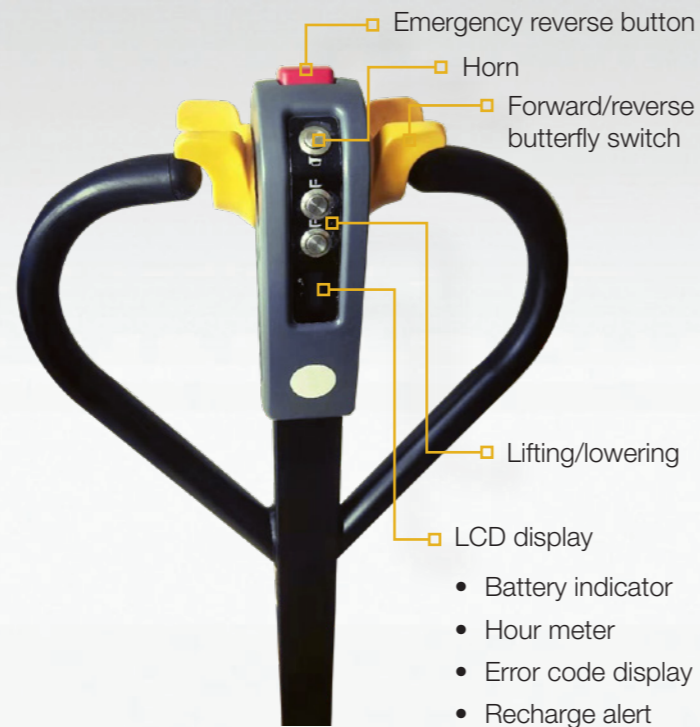


# MPC15

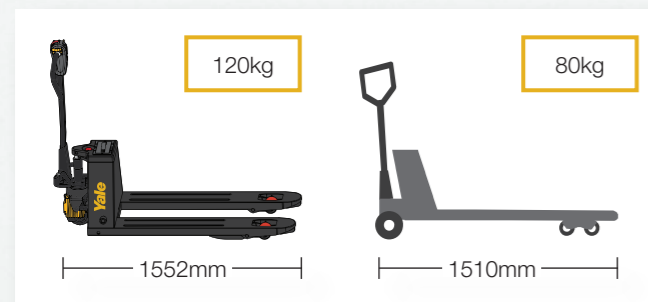
The Yale® lithium-ion powered pallet truck MPC15 offers improved efficiency, reduced strain on operators and an excellent cost of ownership. Compact and lightweight, with minimal maintenance requirements, similar to a hand pallet truck. The MPC15 can work at three times the intensity and with a 6-second battery exchange time; is ideal for continuous operations.

## Productivity — Cost of Ownership Delivered — Reliable

- Compact and lightweight design
- Powered travelling, lifting and lowering
- Efficiency is tripled over a hand pallet truck
- 6-second battery exchange; suitable for continuous operations
- Intelligent Remote Control key option (Standard for Australia)
- Re-charge alert
- Optional large battery with 3-hour fast charger
- Emergency reverse “belly” button
- Ergonomic, multi-function handle with LCD display to maximise uptime
- Easy and simple to maintain
- Maintenance free components; brushless drive motor and lithium-ion battery
- 60-second drive wheel replacement
- Durable steel frame and protective cover
- Performs well on gradients



## ► Powered Pallet Truck VS. Hand Pallet Truck



Compact and Lightweight

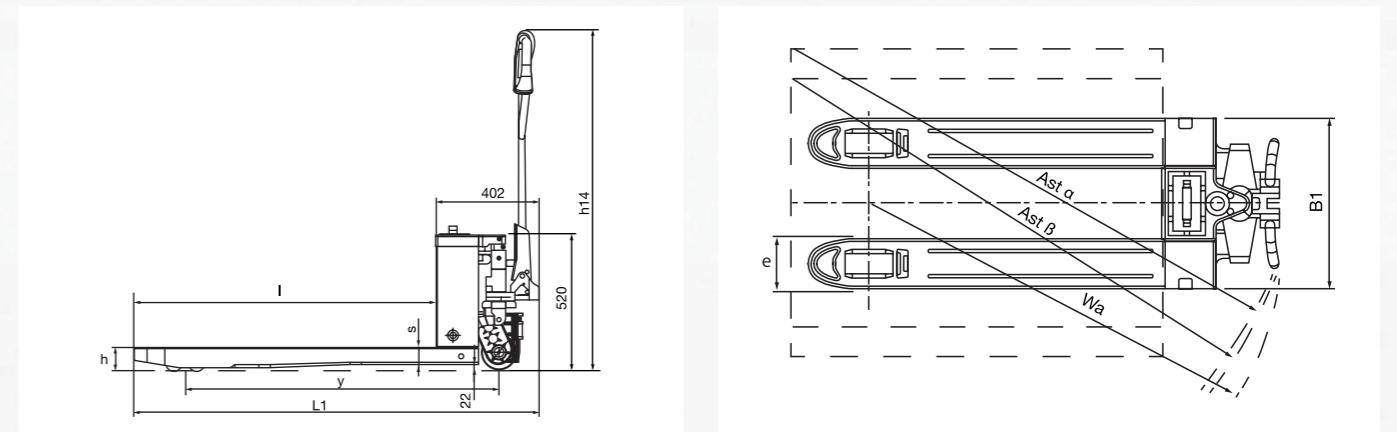


Single / Tandem Load Wheels

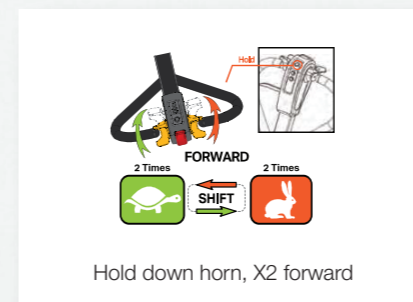


Protective Cover

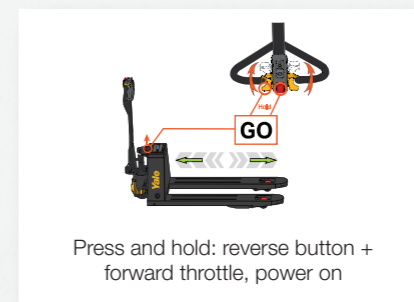
Manufacturer	Measurement	Yale	
Model designation		MPC15	
Operator type		Pedestrian	
Rated capacity	Q (kg)	1500	
Load center	c (mm)	600	
Overall fork width	B1 (mm)	550 / 685	
Fork dimensions	s x e x l (mm)	58 x 160 x 1150	58 x 160 x 1220
Wheelbase	y (mm)	1197	1267
Overall length	L1 (mm)	1552	1622
Turning radius	Wa (mm)	1353	1426
Aisle width for pallets 1000 x 1200 crossways / 800 x 1200 lengthways	AST α / β (mm)	1718 / 1687	
Lowered height - top of forks	h (mm)	82	
Total lift	h3 (mm)	115	
Height of tiller (min. / max.)	h14 (mm)	820 / 1150	
Maximum gradeability (laden / unladen)	%	6% / 20%	
Travel speed (laden / unladen)	Km/h	4.0 / 4.5	
Control type		DC	
Drive / lift motor	Kw	0.75 / 0.5	
Lift speed - laden / unladen (lowering speed - laden / unladen)	m/s	0.018 / 0.023 (0.056 / 0.046)	
Travel brake type		Regenerative	
Service brake type		Electromagnetic	
Service weight (inc. battery)	Kg	120	125
Axle loading laden front / rear (unladen front / rear)	Kg	1134 / 486 (88 / 32)	
Drive wheel x(1)		Ø140 x 55 Poly	
Load wheel (single x(2) / dual x(4))		Ø80 x 93 Poly / Ø80 x 70 Poly	
Battery type		Lithium	
Battery capacity	Ah	10 / 15	
Battery voltage	V	48	
Power consumption in accordance with VDI cycle	kWh/h	0.42	
Sound level at the drivers ear EN / DIN 12053	dB (A)	69	



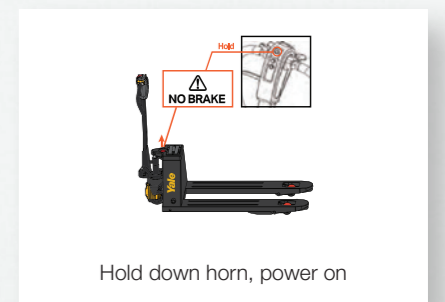
## ► Operator Assist Features



**Speed Setting**  
Convenient fast / slow pre-set speeds



**Up-Right Drive**  
Maximise efficiency in tight spaces



**Service Mode**  
Utilise brake release in emergencies

# Yale® Dealers

Contact your nearest  
Yale® Dealership by visiting  
[www.yale.com.au](http://www.yale.com.au)



Contact your local Yale® Dealer

#### Yale Pacific

1 Bullecourt Avenue, Milperra NSW, Australia 2214

Tel: +61 (2) 9795 3800 | Fax: +61 (2) 9792 8484

[yale.com/pacific/en-au](http://yale.com/pacific/en-au)


#### Yale Asia

16 Tuas Avenue 20, Singapore 638827

Tel: +65 6863 3387 | Fax: +65 6863 3349

[yale.com/asia/en-sg](http://yale.com/asia/en-sg)

Yale, and PEOPLE. PRODUCTS. PRODUCTIVITY are trademarks of Hyster-Yale Group, Inc.

 is a registered copyright of Hyster-Yale Group, Inc.

©Yale Asia Pacific 2020. All rights reserved. Specifications and details in this brochure are subject to change without prior notification.

[www.yale.com.au](http://www.yale.com.au)



Manufactured in our own ISO 9001 and 14001 Registered Facilities

Trucks may be shown with optional equipment.

**Yale®**   
People. Products. Productivity.™