

---

# Yale UX Series

Electric Walkie Pallet Truck

MP20UX / 2000kg



# MP20UX

The Yale® electric walkie pallet truck MP20UX demonstrates cutting-edge design and reliable technology to facilitate operational needs. The low-maintenance helps increase productivity and reduces operational costs.

## ► Standard Features

- Brushless maintenance free AC motor
- Sealed maintenance free batteries
- Small turning radius 1335mm-1405mm (width 520/550/685mm)
- Self-adjusting caster wheels
- Drive capability when tiller is upright, greatly reducing turning space
- Tiller head with max. speed limit button
- Emergency stop and belly button
- Casters to increase stability
- Exit roller
- BDI and hour meter
- Built-in charger

## ► Options

- External charger
- Various fork widths and lengths available



Handle (Standard)  
(Left & Right Handed)

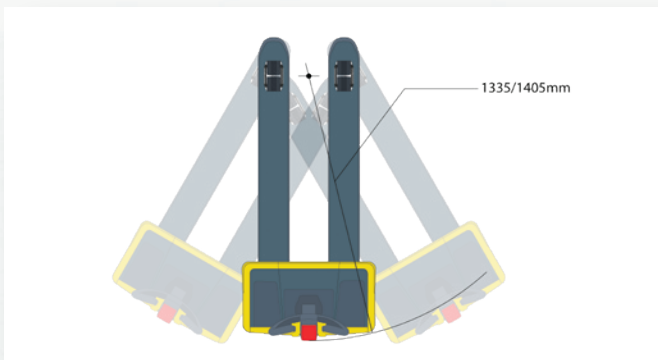


Entry Roller for  
Easy Operation

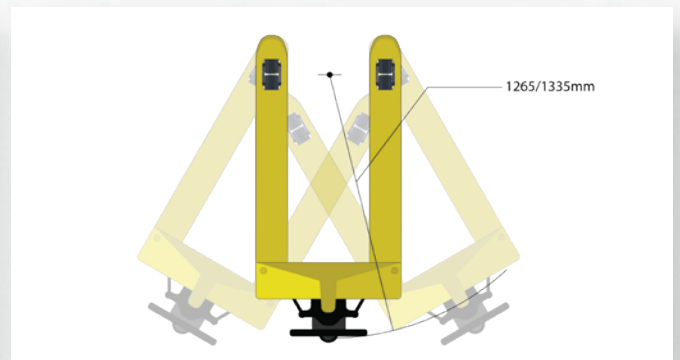
## Turning Radius

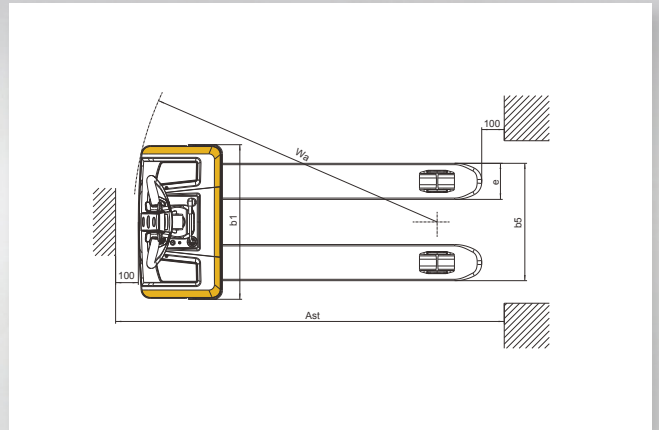
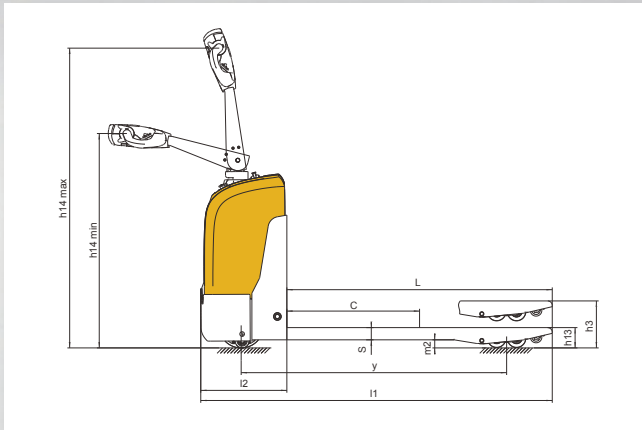
The MP20UX has a small turning radius. When switched to low speed it adapts to narrow spaces. Ideal for shipping containers and tail gate applications.

## ► MINI Type Pallet Truck



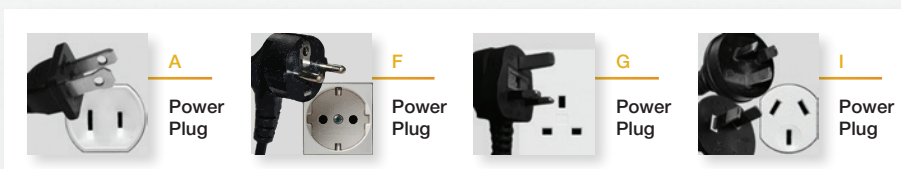
## ► Hand Pallet Truck





Model	Measurement	MP20UX
Load capacity	Q (kg)	2000
Load centre distance	c (mm)	600
Wheelbase	y (mm)	1130
Fork height, lowered	h13 (mm)	85/75
Tyre size, front	mm	195x70
Tyre size, rear (single)	mm	80x93/74x93
Tyre size, rear (double)	mm	80x70/74x70
Wheels number front rear (x = driven wheels)		1X-2/4
Max. lift height	h3 (mm)	190/180
Height of tiller in drive position min./max.	h14 (mm)	950/1310
Overall length	l1 (mm)	1525/1595
Length to face of forks	l2 (mm)	375
Overall width	b1 (mm)	685
Fork dimensions	s/e/l (mm)	53/160/1150 (1220)
Width overall forks	b5 (mm)	520/550/685
Aisle width for pallets 1000x1200 (1200 crossways)	Ast (mm)	1725/1795
Aisle width for pallets 800x1200 (1200 lengthways)	Ast (mm)	1775/1795
Turning radius	Wa (mm)	1335/1405
Drive motor power	kW	0.9
Lift motor power	kW	0.8
Sound level at the driver's ear according to DIN12503	dB (A)	70
Travel speed, laden/unladen	Km/h	4/4.5
Battery voltage/nominal capacity K20	V/Ah	24/105
Battery dimensions l/w/h	mm	260/169/215
Battery weight	Kg	49
Service weight (with battery)	Kg	250

 **MP20UX Power Plug Type**



# Yale® Dealers

Contact your nearest  
Yale® Dealership by visiting  
[www.yale.com.au](http://www.yale.com.au)



Contact your local Yale® Dealer

#### Yale Pacific

1 Bullecourt Avenue, Milperra NSW, Australia 2214

Tel: +61 (2) 9795 3800 | Fax: +61 (2) 9792 8484

[yale.com/pacific/en-au](http://yale.com/pacific/en-au)


#### Yale Asia

16 Tuas Avenue 20, Singapore 638827

Tel: +65 6863 3387 | Fax: +65 6863 3349

[yale.com/asia/en-sg](http://yale.com/asia/en-sg)

Yale, and PEOPLE. PRODUCTS. PRODUCTIVITY are trademarks of Hyster-Yale Group, Inc.

 is a registered copyright of Hyster-Yale Group, Inc.

©Yale Asia Pacific 2020. All rights reserved. Specifications and details in this brochure are subject to change without prior notification.

[www.yale.com.au](http://www.yale.com.au)



Manufactured in our own ISO 9001 and 14001 Registered Facilities

Trucks may be shown with optional equipment.

**Yale®**  
People. Products. Productivity.™