
Yale UX Series

Electric Walkie Pallet Truck

MP20KUX / 2000kg



MP20KUX

The Yale® electric walkie pallet truck MP20KUX combines both features and reliable performance. This low-maintenance truck can help increase productivity and reduce operational costs.

▶ Productivity

- Advanced AC control system eliminates the motor brushes, which limits maintenance requirements
- Low skirting on main chassis
- Side battery roll-out system is very convenient to replace batteries
- Built-in pressure relief valve protects the trucks from overloading
- Emergency power disconnect switch
- Long handle reduces steering effort
- Emergency reversing system in handle
- Low speed switch in the handle
- Variable speed control
- Cold store configuration (option)

▶ Optimum Structural Design

- Spring-loaded casters improve lateral stability on uneven floors and enhance truck performance and service life
- Formed heavy gauge steel provides maximum fork strength and longevity
- Pull rod design protects against bending
- Durable plastic covers

▶ Serviceability

- CANbus technology reduces wiring complexity
- Low battery protection setting extends the battery life
- All pivot points have grease fittings and serviceable bushing, reducing component wear



Handle (Standard)
(Left & Right Handed)



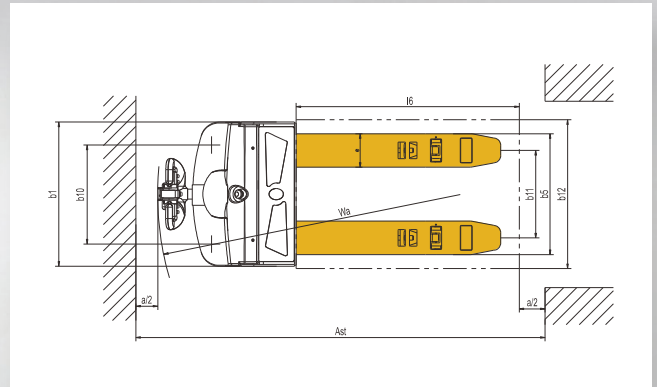
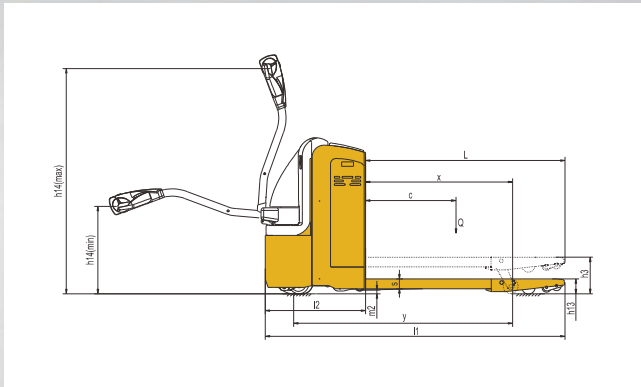
Entry Roller for
Easy Operation



One Sided
(Cold Store)

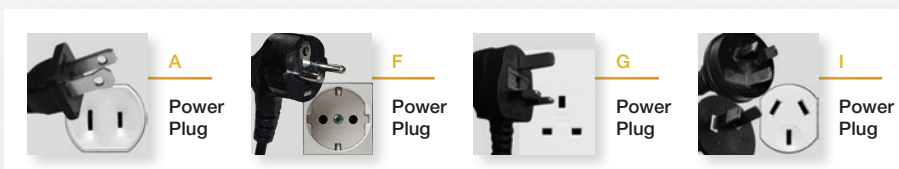


Two Sided
(Cold Store)



Model	Measurement	MP20KUX
Load capacity/rated load	Q (kg)	2000
Load centre distance	c (mm)	600
Load distance, centre of drive axle to fork	x (mm)	815/865/935
Wheelbase	y (mm)	1280
Fork height, lowered	h13 (mm)	82
Tyre size, front	mm	250x70
Tyre size, rear	mm	82x126 (98)
Additional wheels (dimensions)	mm	127x57
Wheels, number front rear (x=driven wheels)		1x+2/2 (4)
Max. Lift height	h3 (mm)	202
Height of tiller in drive position min./max.	h14 (mm)	780/1230
Overall length	l1 (mm)	1655/1705/1775
Length to face of forks	l2 (mm)	555
Overall width	b1 (mm)	775
Fork dimensions	s/e/l (mm)	54x180x1100/1150/1220
Width overall forks	b5 (mm)	520/550/650/685
Aisle width for pallets 1000x1200 crossways	Ast (mm)	2015/2065/2135
Aisle width for pallets 800x1200 lengthways	Ast (mm)	2115/2115/2135
Turning radius	Wa (mm)	1400/1450/1520
Drive motor power	kW	1.2
Lift motor power	kW	0.8
Sound level at the driver's ear according to DIN12503	dB (A)	70
Travel speed, laden/unladen	Km/h	5.5/5.6
Battery voltage, nominal capacity K5	V/Ah	24/210
Battery weight	Kg	196
Battery box dimensions	mm	750x170x534
Service weight (with battery)	Kg	640-645

 **MP20KUX Power Plug Type**



Yale® Dealers

Contact your nearest
Yale® Dealership by visiting
www.yale.com.au



Contact your local Yale® Dealer

Yale Pacific

1 Bullecourt Avenue, Milperra NSW, Australia 2214

Tel: +61 (2) 9795 3800 | Fax: +61 (2) 9792 8484

yale.com/pacific/en-au


Yale Asia

16 Tuas Avenue 20, Singapore 638827

Tel: +65 6863 3387 | Fax: +65 6863 3349

yale.com/asia/en-sg

Yale, and PEOPLE. PRODUCTS. PRODUCTIVITY are trademarks of Hyster-Yale Group, Inc.

 is a registered copyright of Hyster-Yale Group, Inc.

©Yale Asia Pacific 2020. All rights reserved. Specifications and details in this brochure are subject to change without prior notification.

www.yale.com.au



Manufactured in our own ISO 9001 and 14001 Registered Facilities

Trucks may be shown with optional equipment.

Yale
People. Products. Productivity.™