

Veracitor™ GPI5-35AK/RK/TK

Pneumatic Tyre Forklifts | 1,500kg - 3,500kg



About Yale

Yale's Veracitor™ series forklifts have been engineered to provide reliable, long lasting performance and durability. Equally important is they are backed by a regional dealer network which shares the manufacturer's commitment to Yale® maintenance and parts support that is highly dependable – and highly competitive over the whole life of the truck.

As you would expect from Yale, the Veracitor™ Series forklift has the following benefits:

- Manufactured to ISO Standards
- Variety of engine options in Diesel and Petrol/LPG
- Lower cost of ownership
- Superior ergonomics
- Operator comfort
- Backed by an extensive dealer network
- Aftermarket service and support

Yale® dealerships provide flexible truck servicing solutions and are linked to one of the industry's most sophisticated parts distribution operations. You'll find support for Yale® Veracitor™ forklifts throughout the Asia-Pacific region – provided by a big regional footprint stretching from Australia and New Zealand on through Singapore, Malaysia, Indonesia, Thailand, South Korea, Taiwan, Vietnam the Philippines and Guam.



OPERATOR COMPARTMENT

Ergonomically designed, fatigue reducing operator compartment enhances overall productivity. Features include: easy access step, increased foot space, well positioned foot pedals, fully adjustable seat and steering wheel, insulated engine cover and optional low effort Accutouch™ Electro Hydraulic controls.



SIGNAL LIGHTS

Shields are installed on all signal lights, strobe lights and rotating beacons so that operators eyes are protected from distractions.

REDUCED SERVICE INTERVALS

Service intervals for planned maintenance have been extended to 500 hours for Diesel Engines and 300 hours for Petrol/LPG.

YALE HIGH VIS™ MAST

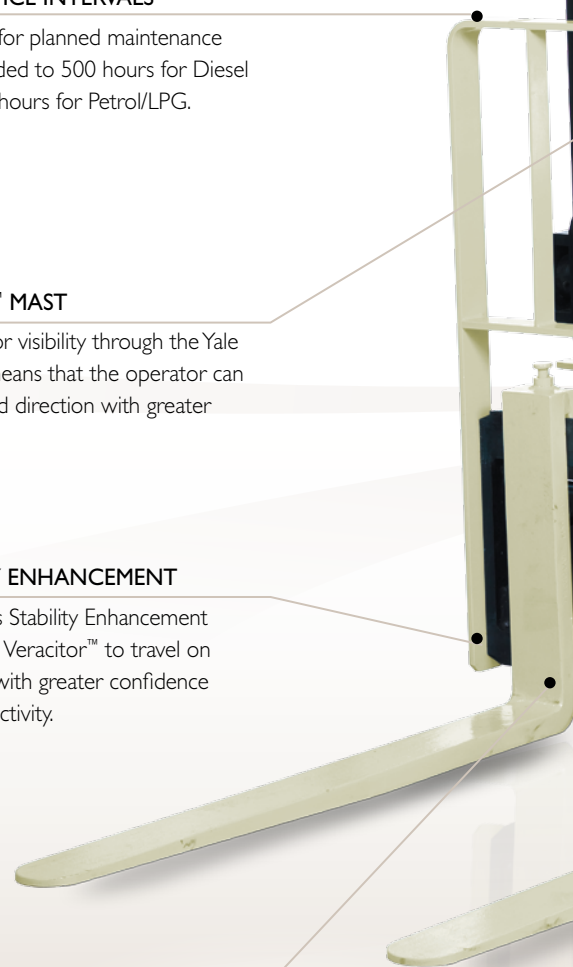
Excellent operator visibility through the Yale High Vis™ Mast means that the operator can travel in a forward direction with greater confidence.

YALE STABILITY ENHANCEMENT

Yale's Continuous Stability Enhancement (CSE) allows the Veracitor™ to travel on uneven surfaces with greater confidence and higher productivity.

ISOLATED POWERTRAIN

The isolated powertrain and quiet engines reduce noise and vibration, minimising operator fatigue and improving comfort.



Veracitor™ Series Features

MADE IN JAPAN



YALE ACCUTOUCH™ ELECTRO HYDRAULIC CONTROLS

The optional Yale Accutouch™ Electro Hydraulic controls offer excellent ergonomics with shorter reach and throw. They require considerably less effort to operate compared to conventional cowl mounted levers.



ERGONOMIC SEAT

Operator comfort is enhanced through an advanced ergonomic seat with backrest tilt adjustment and adjustable steering column.

SWING DOWN GAS TANK

The swing down gas tank bracket is standard on the Veracitor™ series with LPG engines. The LPG tank swings out and drops down for virtually effortless removal and replacement.



EASY OPERATOR ACCESS

Increased foot space, shoulder clearance and an easy on-off step access for operators ensure operator accessibility and safety upon entry and exit.

OFFSET STEERING COLUMN

The steering column is offset to the left to provide ideal left hand steering while the small diameter steering wheel greatly reduces the risk of shoulder injury.

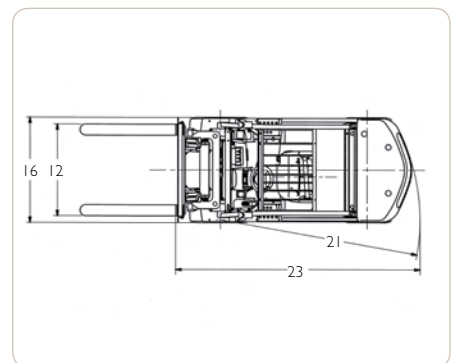
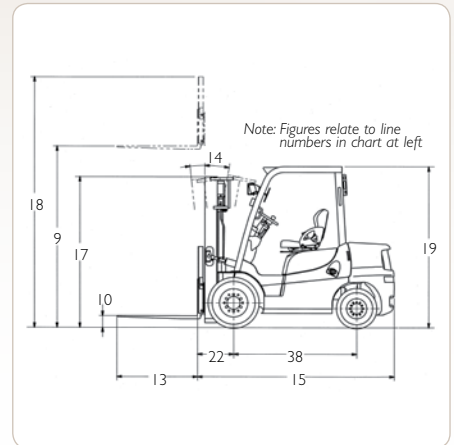
Specifications GP-AK Series

				GP-AK SERIES						
				1,500KG CAPACITY		1,750KG CAPACITY		2,000KG CAPACITY		
SPECIFICATIONS	1	Manufacturer		YALE	YALE	YALE	YALE	YALE	YALE	
	2	Model		GP/GLP15AK	GDP15AK	GP/GLP18AK	GDP18AK	GP/GLP20AK	GDP20AK	
	3	Capacity	kg	1500	1500	1750	1750	2000	2000	
	4	With load centre at	mm	500	500	500	500	500	500	
	5	Fuel type		Petrol/LPG	Diesel	Petrol/LPG	Diesel	Petrol/LPG	Diesel	
	6	Type of operation		Seated rider	Seated rider	Seated rider	Seated rider	Seated rider	Seated rider	
	7	Tyres		Pneumatic	Pneumatic	Pneumatic	Pneumatic	Pneumatic	Pneumatic	
	8	Wheels	No. front/rear (X=Drive)	2X/2	2X/2	2X/2	2X/2	2X/2	2X/2	
DIMENSIONS	9	Lift height	mm	3000	3000	3000	3000	3000	3000	
	10	Standard free lift	mm	145	145	145	145	150	150	
	12	Fork carriage	Class/width	2/1020	2/1020	2/1020	2/1020	2/1020	2/1020	
	13	Fork	Thickness/width/length	mm	35/100/920	35/100/920	35/100/920	35/100/920	40/122/920	40/122/920
	14	Tilt of Mast	Forward/backward	deg	6/10	6/10	6/10	6/10	6/10	6/10
		Fork spread	Max/min	mm	915/205	915/205	915/205	915/205	910/250	910/250
		Overall length	Length to fork tips	mm	3195	3195	3230	3230	3270	3270
	15	Truck length	Length to face of forks	mm	2275	2275	2310	2310	2350	2350
	16	Overall width	Tyre/frame	mm	1070/1070	1070/1070	1135/1070	1135/1070	1135/1070	1135/1070
	16A	Overall width	Tyre/frame (dual tread)	mm	1190/1070	1190/1070	1190/1070	1190/1070	1190/1070	1190/1070
	17	Height	Height with mast lowered	mm	1995	1995	1995	1995	1995	1995
	18		Height with mast extended	mm	3956	3956	3956	3956	3956	3956
	19		Height of canopy guard	mm	2060	2060	2060	2060	2060	2060
	20	Seat height		mm	920	920	920	920	920	920
	21	Turning radius		mm	1975	1975	2010	2010	2040	2040
22	Load distance	X from centre line of front axle	mm	405	405	405	405	410	410	
23	Aisle width	Add pallet length and clearance	mm	2380	2380	2415	2415	2450	2450	
PERFORMANCE	24	Travel speed	Forward (laden/unladen)	km/h	17.5/18.5	17.5/18.0	18.5/19.0	18.0/19.0	18.0/19.0	18.0/19.0
		(Standard tread)	Reverse (laden/unladen)	km/h	17.5/18.5	17.5/18.0	18.5/19.0	18.0/19.0	18.0/19.0	18.0/19.0
	25	Lifting speed	Laden/unladen	mm/s	600/635	630/670	600/635	620/670	595/635	610/670
	26	Lowering speed	Laden/unladen	mm/s	515/540	515/540	516/540	517/540	518/540	519/540
		Drawbar pull	1.5km/h, laden/unladen	N	18140	18430	17100	17390	17170	17460
		Gradeability	1.5km/h, laden/unladen	%	39/25	38/25	33/23	33/23	30/21	30/21
WEIGHT	32	Unladen weight	Standard tread	kg	2610	2695	2865	2945	3050	3135
	32A		Dual tread	kg	2625	2710	2870	2950	3055	3140
	33	Axle loads	Laden front/rear	kg	3640/470	3670/525	4055/560	4085/610	4420/630	4450/685
	34		Unladen front/rear	kg	1175/1435	1205/1490	1180/1685	1210/1735	1125/1925	1155/1980
CHASSIS & TYRES	35	Tyres	No. front/rear		2/2	2/2	2/2	2/2	2/2	2/2
	36	Tyre sizes	Front (standard tread)		6.00-9-10PR	6.00-9-10PR	21x8-9-14PR	21x8-9-14PR	21x8-9-14PR	21x8-9-14PR
			Front (dual tread)		21x8-9-14PR	21x8-9-14PR	21x8-9-14PR	21x8-9-14PR	21x8-9-14PR	21x8-9-14PR
	37		Rear		5.00-8-8PR	5.00-8-8PR	18x7-8-10PR	18x7-8-10PR	18x7-8-10PR	18x7-8-10PR
	38	Wheelbase		mm	1410	1410	1410	1410	1410	1410
	39	Tread	Standard tread: front/rear	mm	915/905	915/905	950/930	950/930	950/930	950/930
	39A		Dual tread: front/rear	mm	1000/905	1000/905	1000/930	1000/930	1000/930	1000/930
	40	Ground clearance	At lowest point	mm	110	110	110	110	110	110
	41		Centre of wheel base	mm	120	120	120	120	120	120
	42	Service brake	Type		Hydraulic	Hydraulic	Hydraulic	Hydraulic	Hydraulic	Hydraulic
43	Parking brake	Method of application		Hand	Hand	Hand	Hand	Hand	Hand	
DRIVE	44	Battery	Type		40B19R	95D31R	40B19R	95D31R	40B19R	95D31R
	45		Volt/amp.h. (cap. For 5h discharge)	V/Ah	12/28	12/64	12/28	12/64	12/28	12/64
	49	Engine	Manufacturer		MAZDA	Yanmar	MAZDA	Yanmar	MAZDA	Yanmar
			Model		FE	4TNE92	FE	4TNE92	FE	4TNE92
	50		Permanent output	kW	30.8	32.8	30.8	32.8	30.8	32.8
	51		At revs	rpm	2100	2050	2100	2050	2100	2050
			Rated torque	Nm/rpm	137/1600	150/1400	137/1600	150/1400	137/1600	150/1400
	52		No. of cylinder/cubic capacity	cm ³	4/1998	4/2659	4/1998	4/2659	4/1998	4/2659
			Fuel tank	Ltr	52	52	52	52	52	52
	53		Fuel consumption	Ltr/h						
55	Transmission	Type		Automatic	Automatic	Automatic	Automatic	Automatic	Automatic	
OTHER	57	Working pressure	For attachments	Mpa	18.1	18.1	18.1	18.1	18.1	18.1
	58	Noise level - Standard	ISO Leq 3dB Doubling	dB(A)	78	80	78	80	78	80
		Noise level - Optional	ISO Leq 3dB Doubling	dB(A)	75	78	75	78	75	78

Lift Specifications

STANDARD LIFT SPECIFICATIONS FOR GP/GDP/GLP15-20AK

	1,500KG CAPACITY					1,750KG CAPACITY					2,000KG CAPACITY				
	Overall Lowered Height	Free Lift	Max. Fork Height	Overall Extended Height	Back Tilt	Overall Lowered Height	Free Lift	Max. Fork Height	Overall Extended Height	Back Tilt	Overall Lowered Height	Free Lift	Max. Fork Height	Overall Extended Height	Back Tilt
	mm	mm	mm	mm	deg	mm	mm	mm	mm	deg	mm	mm	mm	mm	deg
SINGLE MAST	1995	145	3035	4105	10	1995	145	3035	4105	10	1995	150	3040	4105	10
	2145	145	3335	4405	10	2145	145	3335	4405	10	2145	150	3340	4405	6
	2245	145	3535	4605	10	2245	145	3535	4605	6	2245	150	3540	4605	6
	2345	145	3735	4805	10	2345	145	3735	4805	6	2345	150	3740	4805	6
	2595	145	4035	5105	6	2595	145	4035	5105	6	2595	150	4040	5105	6
	2745	145	4335	5405	6	2745	145	4335	5405	6	2745	150	4340	5405	6
	2845	145	4535	5605	6	2845	145	4535	5605	6	2845	150	4540	5605	6
	2995	145	4835	5905	6	2995	145	4835	5905	6	2995	150	4840	5905	6
	3095	145	5035	6105	6	3095	145	5035	6105	6	3095	150	5040	6105	6
	DUPLEX MAST	1995	890	3025	4095	10	1995	890	3025	4095	10	1995	895	3030	4095
2145		1040	3325	4395	10	2145	1040	3325	4395	10	2145	1045	3330	4395	6
2245		1140	3525	4595	10	2245	1140	3525	4595	6	2245	1145	3530	4595	6
2345		1240	3725	4795	10	2345	1240	3725	4795	6	2345	1245	3730	4795	6
2595		1490	4125	5195	6	2595	1490	4125	5195	6	2595	1495	4130	5195	6
TRIPLEX MAST	1895	790	4025	5095	6	1895	790	4025	5095	6	1895	795	4030	5095	6
	1995	890	4375	5445	6	1995	890	4375	5445	6	1995	895	4380	5445	6
	2045	940	4527	5595	6	2045	940	4527	5595	6	2045	945	4532	5595	6
	2145	1040	4825	5895	6	2145	1040	4825	5895	6	2145	1045	4830	5895	6
	2245	1140	5125	6195	6	2245	1140	5125	6195	6	2245	1145	5130	6195	6
	2345	1240	5425	6495	6	2345	1240	5425	6495	6	2345	1245	5430	6495	6
	2595	1490	6025	7095	6	2595	1490	6025	7095	6	2595	1495	6030	7095	6

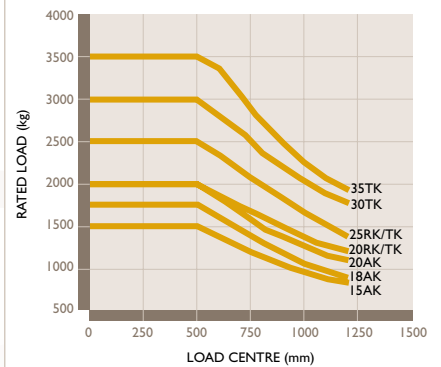


Note: Overall Extended Height is based on a standard Load Back Rest height of 1070mm

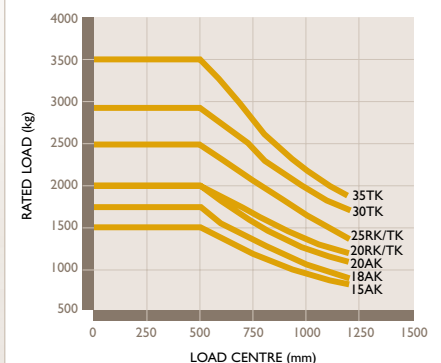
STANDARD LIFT SPECIFICATIONS FOR GP/GDP/GLP20-35TK/RK

	2,000-3,000KG CAPACITY					3,000KG CAPACITY					3,500KG CAPACITY				
	Overall Lowered Height	Free Lift	Max. Fork Height	Overall Extended Height	Back Tilt	Overall Lowered Height	Free Lift	Max. Fork Height	Overall Extended Height	Back Tilt	Overall Lowered Height	Free Lift	Max. Fork Height	Overall Extended Height	Back Tilt
	mm	mm	mm	mm	deg	mm	mm	mm	mm	deg	mm	mm	mm	mm	deg
SINGLE MAST	1995	155	3050	4120	10	2060	160	3055	4125	10	2140	165	3060	4125	10
	2170	155	3350	4420	10	2210	160	3355	4425	10	2290	165	3360	4425	10
	2270	155	3550	4620	10	2310	160	3555	4625	10	2390	165	3560	4625	10
	2420	155	3750	4820	10	2440	160	3755	4825	10	2490	165	3760	4825	10
	2620	155	4050	5120	10	2640	160	4055	5125	10	2690	165	4060	5125	10
	2770	155	4350	5420	6	2790	160	4355	5425	6	2840	165	4360	5425	6
	2870	155	4550	5620	6	2890	160	4555	5625	6	2940	165	4560	5625	6
	3020	155	4850	5920	6	3040	160	4855	5925	6	3090	165	4860	5925	6
	3120	155	5050	6120	6	3140	160	5055	6125	6	3190	165	5060	6125	6
	DUPLEX MAST	1995	885	3000	4070	10	2140	1025	3080	4150	10	2190	1070	3085	4150
2270		1160	3390	4460	10	2290	1175	3380	4450	10	2340	1220	3385	4450	10
2370		1260	3590	4660	10	2390	1275	3580	4650	10	2440	1320	3585	4650	10
2520		1410	3840	4910	10	2540	1425	3830	4900	10	2590	1470	3835	4900	10
2720		1610	4190	5260	6	2740	1625	4180	5250	6	2790	1670	4185	5250	6
TRIPLEX MAST	1970	860	4135	5205	6	1990	875	4125	5195	6	2040	920	4125	5190	6
	2040	930	4345	5415	6	2060	945	4335	5405	6	2110	990	4335	5400	6
	2120	1010	4585	5655	6	2140	1025	4575	5645	6	2190	1070	4575	5640	6
	2205	1095	4840	5910	6	2290	1175	4825	5895	6	2340	1220	4825	5890	6
	2270	1160	5035	6105	6	2390	1275	5025	6095	6	2440	1320	5025	6090	6
	2370	1260	5335	6405	6	2540	1425	5325	6395	6	2590	1470	5325	6390	6
	2470	1360	5535	6605	6	2640	1525	5525	6595	6	2690	1570	5525	6590	6
	2520	1410	5685	6755	6	2740	1625	5725	6795	6	2790	1670	5725	6790	6
2720	1610	6035	7105	6	2890	1775	6025	7095	6	2940	1775	6025	7090	6	

RATED LOAD v LOAD CENTRE STANDARD CARRIAGE



RATED LOAD v LOAD CENTRE INTEGRAL SIDESHIFT CARRIAGE



Standard Features & Optional Extras


STANDARD	OPTIONAL
FRONT END EQUIPMENT	
2-Stage limited free lift High Vis™ mast with 3,000mm maximum fork height Hook-type carriage with 1070mm high load backrest (LBR) 920mm long forks (GP/GDP/GLP15-20AK) 1,070mm long forks (GP/GDP/GLP20-35RK/TK)	2-Stage limited free lift High Vis™ masts with up to 5,000mm lift height 2-Stage full free lift High Vis™ masts with up to 4,100mm lift height 3-Stage full free lift High Vis™ masts with up to 6,000mm lift height Integral side shift (ISS) carriage Fork lengths are available from 920mm to 2,120mm
ENGINE/ DRIVETRAIN/ BRAKES	
Mazda 2.0L Petrol/LPG engine on GP/GLP15-20AK, GP/GLP20-25RK Yanmar 2.6L Diesel engine on GDP15-20AK, GDP20-25RK Mazda 2.2L Petrol/LPG engine on GP/GLP20-35TK Yanmar 3.3L Diesel engine on GDP20-35TK Automatic transmission with: <ul style="list-style-type: none"> • Mechanical inching • Neutral start function Lever directional control Self-adjusting drum brakes	Neutral start function Heavy duty clutch Foot Directional Control (FDC) Heavy duty drum brakes (GP/GDP/GLP20-35RK/TK only)
CONTROLS & INSTRUMENTATION	
Separate inching and brake pedals 3-function cowl-mounted hydraulic controls LCD panel with: <ul style="list-style-type: none"> • Hour meter • Fasten seatbelt indicator • Fuel level with low fuel audible alarm (Petrol and Diesel fuel only) • Real time clock Service Indicators: <ul style="list-style-type: none"> • Service required • Error message • Coolant temperature with high temperature warning buzzer • Alternator with warning buzzer • Transmission oil temperature with warning buzzer • Engine oil pressure with low pressure warning buzzer • Glow lamp (Diesel fuel engine only) • Sedimeter with warning buzzer (Diesel fuel engine only) 	Combined inch/brake pedal Accutouch™ electro-hydraulics fingertip controls with adjustable armrest Return-to-vertical control Password start with key switch Speedometer with speed alarm and warning buzzer Travel speed limiter Digital load weight display
SEATS	
Non-suspension vinyl seat (Asia) Full-suspension vinyl seat (Australia)	Non-suspension vinyl seat (not available with Accutouch™ controls) Semi-suspension vinyl seat Full-suspension vinyl seat
CABIN	
Standard Over Head Guard (OHG) with rain gutter 78 dB(A) standard noise level for Petrol/LPG engine option 80 dB(A) standard noise level for Diesel engine option	Lexan cover on top of Over Head Guard (OHG) Roll-down fabric cabin with top, sides and back Front glass with wiper Front glass with wiper and washer Heater Full enclosed cabin Rear drive handle with horn button
ENVIRONMENTAL	
High air intake Horizontal exhaust Serpentine core radiator	High mount pre-cleaner Dual element air filter for Petrol/LPG engine option Tandem air filter for Diesel engine option Vertical exhaust 2-way catalytic muffler with open loop system 3-way catalytic muffler with closed loop system Spark arrestor muffler Anti-clog square-fin radiator with lint screen Heavy duty square fin radiator
OTHER	
Electric horn Rubber floor mat Integral tie downs Operator's manual Operator's seat belt Reverse beeper – 90 dB(A) Infinitely adjustable steering column Key starting with anti-restart function Continuous Stability Enhancement™ stability system Hydrostatic steering with return-to-straight steering knob Easy tank bracket swing-out, drop-down LPG cylinder bracket 2 front head lights 2 front turn indicators 2 rear combination (turn indicators, reversing and brake) lights ISO 3691/JIS D 6202 compliance ISO 3691/AS2359 compliance (Australia only) 12 months/2,000 hours manufacturers warranty	Hydraulic cut-out seat interlock (prevents use of hydraulics when operator is not on seat) Traction cut-out seatbelt interlock (prevents travel when operator seatbelt is not used) Rotating flasher beacon (standard in Australia) 2 rear vision mirrors (standard in Australia) Self adjusting reverse beeper – 82-102 dB (A) variable level LED rear combination (turn indicators, reversing and brake) lights Rear working light (switch or reverse operated) Lifting eyes Fire extinguisher (Asia only)

Yale® Dealers

Contact your nearest Yale Dealership by visiting www.yale.com




Contact your local Yale Dealer

 Safety. This truck conforms to the current EU requirements. Specification is subject to change without notice.



Yale Asia Pacific
1 Bullecourt Avenue, Milperra NSW, Australia 2214
Tel: +61 (2) 9795 3800 Fax: +61 (2) 9792 8484
www.yale.com

Yale is a registered trademark.  is a registered copyright of Yale Materials Handling Corporation.
© Yale Asia Pacific 2012. All rights reserved. Printed in Australia.
Specifications and details in this brochure are subject to change without prior notification.

Yale 
People. Products. Productivity.™

BR0000094V1.1