

FBR SY/WY

**Reach Truck
1,250 kg - 3,000 kg**



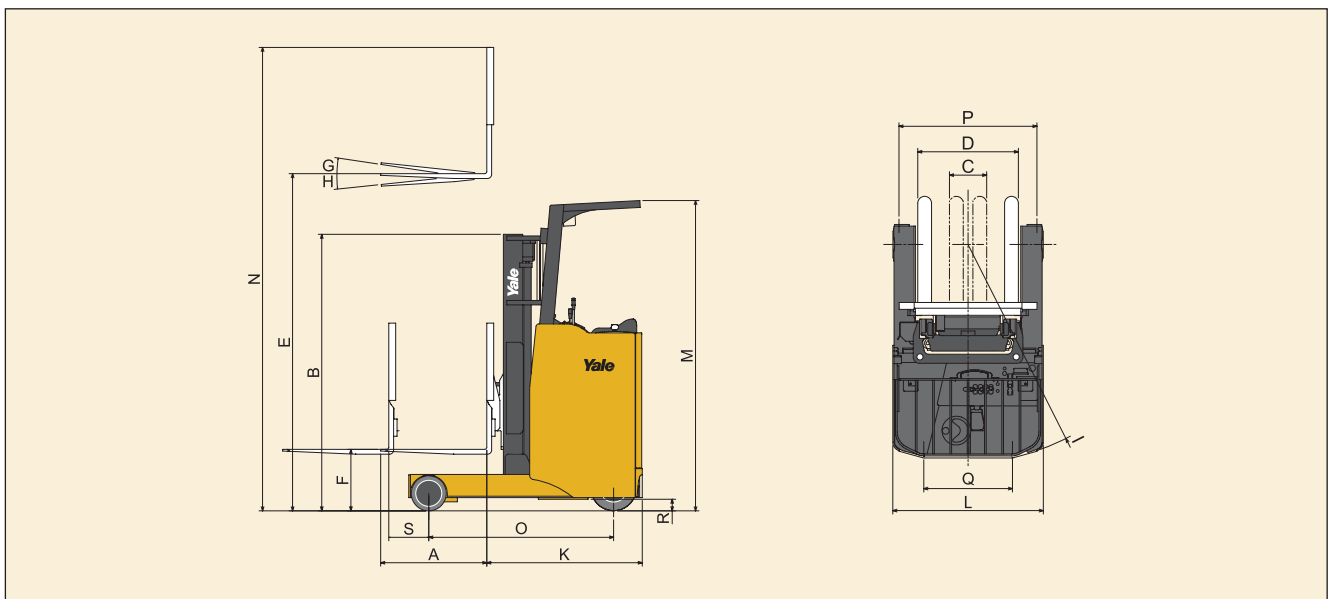
- **Reach truck 1,250, 1,500, 1,800, 2,000, 2,500, 3,000 kg**
- **AC Drive Technology**
- **New suspension system with improved stability**
- **Improved ergonomics and manoeuvrability**
- **Transistor control on drive and hydraulics**

Yale 
People. Products. Productivity.

General Specifications

	Model		FBR13SY	FBR13WY	FBR15SY	FBR15WY	FBR18SY	FBR18WY	FBR20S(T)Y	FBR25S(T)Y	FBR30S(T)Y		
	Chassis		Standard	Wide	Standard	Wide	Standard	Wide	Standard	Standard	Standard		
Performance	1	Capacity	Kg	1,250	1,250	1,500	1,500	1,800	1,800	2,000	2,500	3,000	
	2	With load center at	mm	500	500	500	500	500	500	500	500	500	
	3	Lift height	mm	E	3,000	4,000	3,000	4,000	3,000	4,000	3,000	3,000	3,000
	4	Free lift	mm	F	105	945	105	945	105	945	150	150	155
	5	Reach length	mm		550	450	590	640	740	640	700	865	865
	6	Tilt of fork (backward/forward)	degree	G/H	5/3	5/3	5/3	5/3	5/3	5/3	5/3	5/3	5/3
	7	Travel speed (With no load)	km/h		11	11	10.5	10.5	10.5	10.5	11.5	11.5	11
	8	Travel speed (With load)	km/h		9.5	9.5	9	9	9	9	10	9.5	9
	9	Lifting speed (With no load)	mm/s		560	490	560	470	560	470	500	500	420
	10	Lifting speed (With load)	mm/s		340	320	310	290	280	270	300	280	220
	11	Minimum turning radius (Outside)	mm	I	1,495	1,495	1,580	1,755	1,755	1,755	1,780	1,955	2,055
Dimensions	12	Overall length (With forks)	mm	A+K	1,950	2,045	2,070	2,185	2,105	2,185	2,190	2,195	2,300
	13	Overall width	mm	L	1,090	1,190	1,090	1,190	1,090	1,190	1,165	1,220	1,220
	14	Height of master (Lowered)	mm	B	1,995	1,845	1,995	1,845	1,995	1,845	1,995	1,995	2,020
	15	Height of master (Extended)	mm	N	3,930	4,930	3,930	4,930	3,930	4,930	3,940	3,940	3,945
	16	Over head guard height	mm	M	2,240	2,240	2,240	2,240	2,240	2,240	2,300	2,300	2,300
	17	Floor height	mm		295	295	295	295	295	295	350	350	350
	18	Fork length	mm	A	850	850	920	920	920	920	920	920	920
	19	Fork outside width (Maximum)	mm	D	730	830	730	830	730	830	780	780	780
	20	Fork outside width (Minimum)	mm	C	225	225	225	225	225	225	255	255	255
	21	Wheelbase	mm	O	1,250	1,250	1,340	1,515	1,515	1,515	1,525	1,700	1,800
	22	Tread (Front / Rear)	mm	P/Q	988/635	1,088/635	988/635	1,088/635	988/635	1,088/635	1,044/715	1,086/715	1,086/715
	23	Front overhang	mm	S	190	185	190	180	199	180	205	200	210
	24	Ground clearance	mm	R	80	80	80	80	80	80	85	85	85
	25	w/No load weight w/ standard battery	Kg		2,200	2,345	2,330	2,400	2,350	2,485	2,925	3,090	3,325
Tyre	26	Front tire	Urethane						ø45 x 102		ø267 x 102	ø267 x 135	
	27	Drive tire							Rubber ø330 x 145		Urethane ø394 x 152		
	28	Caster tire							Rubber 2 x ø178 x 73		Rubber ø204 x 74	U. ø204 x 74	
Electrical components	29	Drive motor control type							FET inverter				
	30	Hydraulic pump motor control type							IGBT chopper				
	31	Steering control type							FET chopper				
	32	Drive motor type							AC induction self ventilation				
	33	Rated output	KW						4.5		5.2		
	34	Hydraulic pump motor type							DC series motor self ventilation				
	35	Rated output	KW						8		11		
	36	Steering motor type							DC permanent magnet				
	37	Rated output	KW						0.3				
	38	Battery type							Traction				
39	Volt x Ah/hr	V x ah	48 x 201			48 x 280			48 x 312		48 x 370		

All masts have 3 degrees forward tilt and 5 degrees backward tilt



Mast Specifications and Rated Capacity

Mast Type	MFH mm	OLH mm	OEH mm	FL mm	Capacity (kg)					
					@ 500mm LC		@ 600mm LC		@ 500mm LC	
2 Stage Limited Free Lift	FBR13SY					FBR15SY			FBR18SY	
	2,530	1,745	3,435	105	1,250	1,050	1,500	1,300	1,800	1,550
	2,730	1,845	3,635	105	1,250	1,050	1,500	1,300	1,800	1,550
	3,030	1,995	3,935	105	1,250	1,050	1,500	1,300	1,800	1,550
	3,330	2,145	4,235	105	1,250	1,050	1,500	1,300	1,800	1,550
	3,530	2,245	4,435	105	1,250	1,050	1,500	1,300	1,800	1,550
	3,730	2,345	4,635	105	1,250	1,050	1,500	1,300	1,800	1,550
	4,030	2,495	4,935	105	1,250	1,050	1,500	1,300	1,800	1,550
	4,330	2,745	5,235	105	1,250	1,050	1,500	1,300	1,800	1,550
	4,530	2,845	5,435	105	1,150	1,000	1,450	1,250	1,700	1,450
5,030	3,095	5,935	105	1,050	900	1,400	1,200	1,550	1,350	
3 Stage Full Free Lift	FBR13WY					FBR15WY			FBR18WY	
	3,720	1,745	4,625	845	1,250	1,050	1,500	1,300	1,800	1,550
	4,020	1,845	4,925	945	1,250	1,050	1,500	1,300	1,800	1,550
	4,370	1,995	5,275	1,095	1,250	1,050	1,500	1,300	1,800	1,550
	4,520	2,045	5,425	1,145	1,250	1,050	1,500	1,300	1,800	1,550
	4,820	2,145	5,725	1,245	1,250	1,050	1,500	1,300	1,800	1,550
	5,120	2,245	6,025	1,345	1,250	1,050	1,500	1,300	1,550	1,350
	5,420	2,345	6,325	1,445	1,100	950	1,250	1,050	1,350	1,150
6,020	2,595	6,925	1,695	800	650	1,000	850	1,100	950	



Yale Mission
Products, people and solutions to get your business running better, smarter and more efficiently.

Mast Type	MFH mm	OLH mm	OEH mm	FL mm	Capacity (kg)			
					@ 500mm LC	@ 600mm LC	@ 600mm LC	
2 Stage Limited Free Lift	FBR20SY					FBR25SY		
	2,545	1,995	3,450	150	2,000	1,750	2,500	2,190
	2,745	1,995	3,650	150	2,000	1,750	2,500	2,190
	3,045	1,995	3,950	150	2,000	1,750	2,500	2,190
	3,345	2,170	4,250	150	2,000	1,750	2,500	2,190
	3,545	2,270	4,450	150	2,000	1,750	2,500	2,190
	3,745	2,420	4,650	150	2,000	1,750	2,500	2,190
	4,045	2,620	4,950	150	2,000	1,750	2,500	2,190
	4,345	2,770	5,250	150	1,950	1,700	2,450	2,140
	4,545	2,870	5,450	150	1,900	1,660	2,400	2,100
5,045	3,120	5,950	150	1,850	1,620	2,300	2,010	
3 Stage Full Free Lift	FBR20STY					FBR25STY		
	3,830	1,870	4,735	970	2,000	1,740	2,500	2,180
	4,130	1,970	5,035	1,070	2,000	1,740	2,500	2,180
	4,340	2,040	5,245	1,140	1,900	1,660	2,400	2,100
	4,580	2,120	5,485	1,220	1,800	1,570	2,300	2,010
	5,030	2,270	5,935	1,370	1,700	1,480	2,200	1,920
	5,330	2,370	6,235	1,470	1,650	1,440	2,150	1,880
	5,680	2,520	6,585	1,620	1,600	1,390	2,050	1,790
6,030	2,720	6,935	1,820	1,500	1,310	1,900	1,660	



Mast Type	MFH mm	OLH mm	OEH mm	FL mm	Capacity (kg)		
					@ 500mm LC	@ 600mm LC	
2 Stage Limited Free Lift	FBR30SY						
	2,550	2,020	3,455	155	3,000	2,620	
	2,750	2,020	3,655	155	3,000	2,620	
	3,050	2,020	3,955	155	3,000	2,620	
	3,350	2,170	4,255	155	3,000	2,620	
	3,550	2,270	4,455	155	3,000	2,620	
	3,750	2,420	4,655	155	3,000	2,620	
	4,050	2,620	4,955	155	3,000	2,620	
	4,350	2,770	5,255	155	2,950	2,580	
	4,550	2,870	5,455	155	2,900	2,540	
5,050	3,120	5,955	155	2,800	2,450		
3 Stage Full Free Lift	FBR30STY						
	3,820	1,870	4,725	925	3,000	2,620	
	4,120	1,970	5,025	1,025	3,000	2,620	
	4,330	2,040	5,235	1,095	3,000	2,620	
	4,570	2,120	5,475	1,175	2,950	2,580	
	5,020	2,370	5,925	1,425	2,700	2,360	
	5,320	2,520	6,225	1,575	2,600	2,270	
	5,720	2,720	6,625	1,775	2,200	1,920	
6,020	2,870	6,925	1,925	2,100	1,840		

Yale® 
People. Products. Productivity.

1. MFH: Maximum Fork Height (MFH) shown with load. Add 5 mm without load.
2. OLH: Overall Lowered Height (OLH) includes Free Lift.
3. OEH: Overall Extended Height (OEH) shown with standard 900 mm load backrest and without load.
4. FL: Free Lift (FL)
5. Capacity (kg) with Standard Carriage

FBR SY/WY

LIFT PRODUCTIVITY

Reach Truck 1,250 kg - 3,000 kg

Operator's compartment and steering

A spacious compartment provides generous leg room and low step height for easy on/off. An adjustable padded waist/hip support is featured at right hand side of operator station. Thick foamed rubber floor mat absorbs vibration and alleviates fatigue.

Small diameter steering wheel available as standard for reduced steering effort and improved manoeuvrability.

Ergonomically layout of dash display, pedal, steering wheel, levers and buttons provide for easy operation and better comfort.

Display

A comprehensive easy to read full function display and switches for control features interface to the driver/service personnel. Features provided include digital watch, odometer, hour meter, parking brake status, battery discharge indicator, alarm condition, performance level, alarm history, set-up parameter and optional password entry.



Display Panel

Suspension system

Newly designed semi-rigid axle articulation with elastomer stopper replacing spring loaded axle provides for improved stability. Lateral & longitudinal movements are reduced during cornering and lifting.

Better performance with less maintenance

The precision control of an AC motor gives excellent operator response, and since there are no replaceable parts such as brushes and connectors, maintenance costs are greatly reduced. Regenerative braking also conserves energy and helps brake pads last longer.

Options

A comprehensive selection of options is available including:

- Cold store protection
- Fisheries cold store protection
- Side battery extraction
- Load wheel brake
- Traction control
- Proportional control system
- On-board charger
- Non-marking tyres
- Password entry
- Strobe light
- Work light
- Integral Sideshift Carriage
- Large steering wheel



Adjustable Waist/Hip Support



Optional Side Extraction Battery

Yale products are designed, manufactured and tested to the highest quality standards in our world class facilities. Yale FBR reach trucks are proudly made in Obu, Japan.



Japan



USA



The Netherlands



Italy

Yale Asia Pacific

1 Bullecourt Avenue,
Milperra, NSW 2214, Australia
Tel: +61 (2) 9795 3800
Fax: +61 (2) 9792 8484
www.yale.com.au

Contact your local Yale dealer

Yale[®] 
People. Products. Productivity.



LOWER COSTS