
Yale UX Series

3-Wheel Electric Forklift

ERP16-20UXT / 1600-2000KG



www.yale.com.au

Yale[®] 
People. Products. Productivity.™

Features

1 Wide View Mast

The wide view mast delivers excellent visibility of the load and operator's forward field of view. Thus optimising comfort and productivity.

2 Small, Adjustable Steering Wheel

The small diameter steering wheel requires low effort, promoting light and precise operation. The adjustable steer column optimises comfort and convenience.

3 Wide and Low Step

The conveniently positioned non-slip step coupled with large grab handles provide easy and secure access to the truck.

4 High Strength Overhead Guard

The profiled steel overhead guard features high strength materials to enhance reliability and operator protection.

5 AC Controller

European designed controllers optimise battery power consumption. AC traction and hydraulic motors improve precision. All are easily accessible to minimise service time.

6 Dual Drive Motors

The compact structure of the drive system provides adequate access for maintenance. Precision cut gears are incorporated, leading to reduced wear and lower noise levels.



Overview

The Yale® UX Series provides the ideal solution to meet your less frequent usage needs, without compromising on performance.

The Range

The ERP16-20UXT range is available in three different capacities:

1,600KG – ERP16UXT

1,800KG – ERP18UXT

2,000KG – ERP20UXT

Design

The design of the UX range has been engineered with the driver in mind. The ergonomically designed operator compartment, with a familiar layout, means that drivers will be able to work effortlessly. A range of standard features and options allow the truck to be configured to the needs of the application

Low Cost of Ownership

The use of high quality and robust components within the UX series deliver a reliable operation with limited wear and tear. Maintenance costs and requirements are further reduced by simple, readily available, genuine and cost effective replacement parts.

Hydraulics

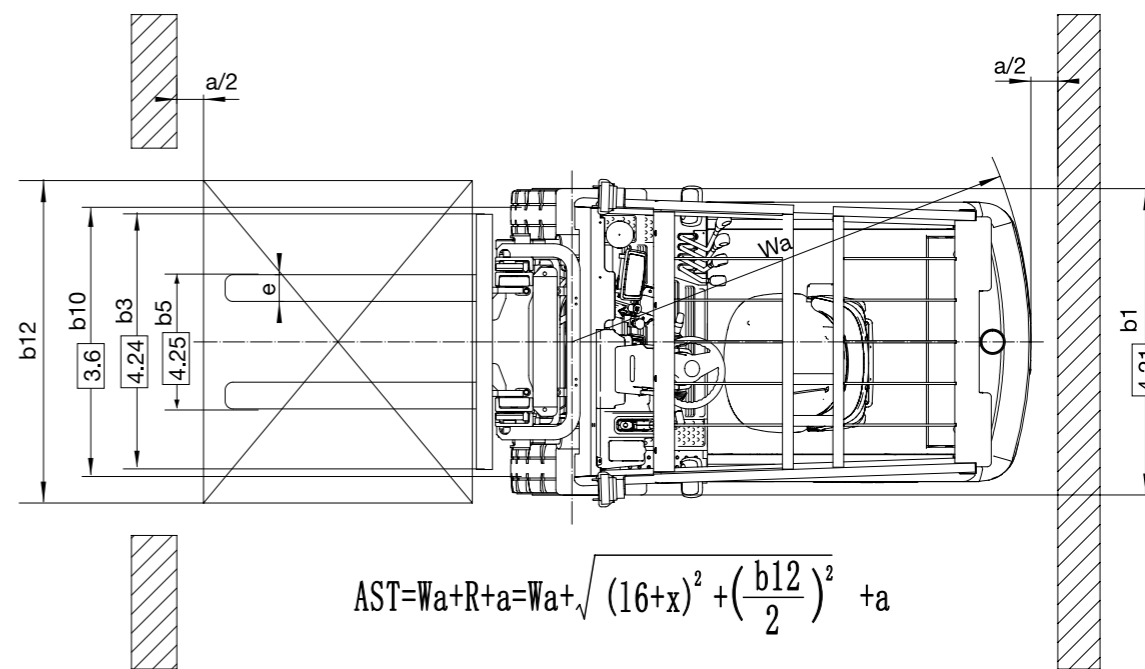
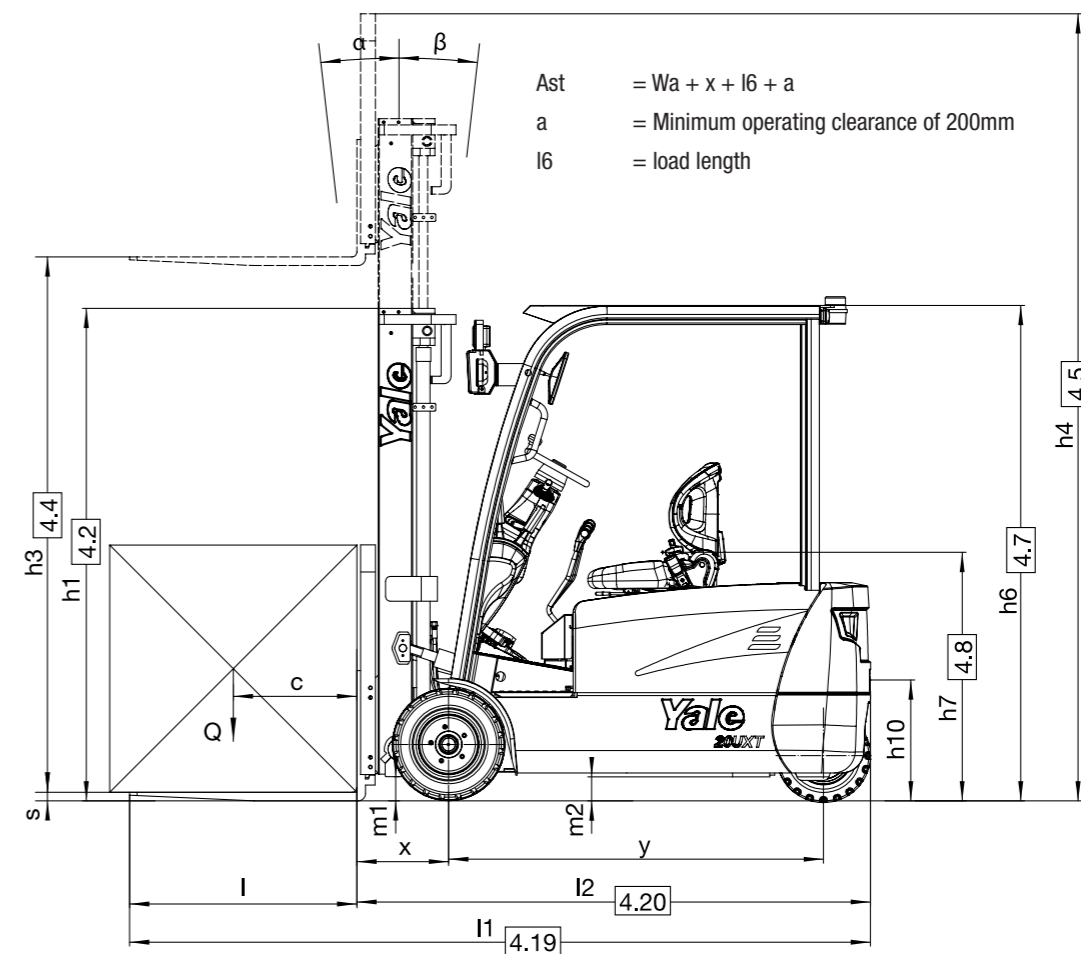
High quality cylinders with hard chrome rods reduce seal wear for long life. A full-flow, low pressure filter on the return line keeps the hydraulic oil clean, which helps to minimise seal and pump wear. In addition, this keeps the control valve in good condition, leading to low service costs.

1.1 Manufacturer		YALE	YALE	YALE		
Distinguishing mark	1.2 Model designation	ERP16UXT	ERP18UXT	ERP20UXT		
	1.3 Power: battery, diesel, LPG, electric mains	Battery	Battery	Battery		
	1.4 Operation: manual, pedestrian, stand, seat, orderpicker	Seated	Seated	Seated		
	1.5 Load capacity	Q (kg)	1600	1800	2000	
	1.6 Load centre	c (mm)	500	500	500	
	1.8 Load distance	x (mm)	371	371	371	
	1.9 Wheelbase	Y (mm)	1400	1400	1515	
	Weight	2.1 Unladen weight (max. battery)	kg	3120	3190	3380
		2.2 Axle loading, laden front / rear (max. battery)	kg	4010 / 660	4420 / 510	4870 / 580
2.3 Axle loading, unladen front / rear (max. battery)		kg	1480 / 1640	1500 / 1690	1580 / 1810	
Tyres, chassis	3.1 Tyres: L=pneumatic, V=cushion, SE= superelastic	SE	SE	SE		
	3.2 Tyre size, front		18 x 7-8	18 x 7-8	200 / 50-10	
	3.3 Tyre size, rear		15 x 4.5-8	15 x 4.5-8	15 x 4.5-8	
	3.5 Number of wheels, front / rear (X = driven)		2x / 2	2x / 2	2x / 2	
	3.6 Track width, front	b10 (mm)	933	933	952	
	3.7 Track width, rear	(mm)	186	186	186	
Dimensions	4.1 Mast tilt, forward α / back β	degrees	6 / 6	6 / 6	6 / 6	
	4.2 Height of mast, lowered	h1 (mm)	1992	1992	1990	
	4.4 Lift height *	h3 (mm)	3036	3036	3045	
	4.5 Height of mast, extended E	h4 (mm)	4030	4030	4000	
	4.7 Height to top of overhead guard m	h6 (mm)	2002	2002	2004	
	4.8 Seat height u	h7 (mm)	965	965	965	
	4.12 Towing coupling height	h10 (mm)	445	445	485	
	4.19 Overall length (with forks)	l1 (mm)	2894	2894	3153	
	4.2 Length to face of forks	l2 (mm)	1974	1974	2084	
	4.21 Overall width	b1 (mm)	1084	1084	1140	
	4.22 Fork dimensions	s/e/l (mm)	35 / 100 / 920	35 / 100 / 920	40 / 120 / 1070	
	4.23 Fork carriage DIN 15173. Class, A / B		2A	2A	2A	
	4.24 Fork carriage width E	b3 (mm)	950	950	950	
	4.25 Width over forks	b5 (mm)	890	890	890	
	4.31 Ground clearance, laden, below mast	m1 (mm)	90	90	90	
	4.32 Ground clearance at centre of wheelbase	m2 (mm)	96	96	96	
	4.33 Aisle width with pallets 1000 mm long x 1200 mm wide	Ast (mm)	3290	3290	3445	
	4.34 Aisle width with pallets 800 mm wide x 1200 mm long	Ast (mm)	3415	3415	3410	
	4.35 Outer turning radius	Wa (mm)	1601	1601	1716	
4.36 Inner turning radius	b13 (mm)	0	0	0		
Performance data	5.1 Travel speed laden / unladen	km/h	14 / 16	14 / 16	14 / 16	
	5.2 Lifting speed laden / unladen	mm/s	352 / 500	349 / 500	310 / 500	
	5.3 Lowering speed laden / unladen	mm/s	344 / 420	382 / 421	390 / 430	
	5.6 Maximum drawbar pull laden / unladen, 5 minute rating	N	15500 / 10000	15000 / 10500	15500 / 12000	
	5.8 Maximum gradeability with / without load, 5 minute rating	%	20 / 30	20 / 30	20 / 30	
5.9 Acceleration time with / without load 10m	sec	4.4 / 4.3	4.4 / 4.3	5.9 / 5.6		
Electric-Motor	6.1 Service brake		Hydraulic	Hydraulic	Hydraulic	
	6.1 Drive Motor Rating, S2, 60min	kW	2 x 5.0	2 x 5.0	2 x 5.0	
	6.2 Lifting motor, S3 15% rating	kW	11	11	11	
	6.3 Battery DIN 43531 / 35 / 36 A, B, C, no		43531A	43531A	43531A	
	6.4 Battery voltage / capacity (5hr rate)	V/Ah	48 / 460	48 / 460	48 / 600	
	6.5 Battery weight (min/max)	kg	945	945	1090	
Additional data	8.1 Drive control		AC	AC	AC	
	8.2 Manufacturer		ZAPI	ZAPI	ZAPI	
	8.3 Operating pressure for attachments x	bar	145	175	175	
	8.4 Oil volume for attachments	Vmin	38	38	38	
	8.5 Average noise level at operator's ear \rightarrow	dB (A)	64.8	64.8	69.6	

- LPAZ, measured according to the test cycles and based on the weighting values contained in EN12053

- * Bottom of forks
- u Full suspension specified
- E Without load backrest
- m h6 subject to +/- 5 mm tolerance
- x Variable

Specification data is based on VDI 2198, with the following configuration: Complete truck with 3000mm 2-stage limited free lift mast, standard carriage and forks, overhead guard and standard superelastic drive and steer tyres.



Yale® Dealers

Contact your nearest
Yale® Dealership by visiting
www.yale.com.au



Contact your local Yale® Dealer

Yale Pacific

1 Bullecourt Avenue, Milperra NSW, Australia 2214

Tel: +61 (2) 9795 3800 | Fax: +61 (2) 9792 8484

yale.com/pacific/en-au


Yale Asia

16 Tuas Avenue 20, Singapore 638827

Tel: +65 6863 3387 | Fax: +65 6863 3349

yale.com/asia/en-sg

Yale, and PEOPLE. PRODUCTS. PRODUCTIVITY are trademarks of Hyster-Yale Group, Inc.

 is a registered copyright of Hyster-Yale Group, Inc.

©Yale Asia Pacific 2020. All rights reserved. Specifications and details in this brochure are subject to change without prior notification.

www.yale.com.au



Manufactured in our own ISO 9001 and 14001 Registered Facilities

Trucks may be shown with optional equipment.

Yale® 
People. Products. Productivity.™