



**STRONG PARTNERS.  
TOUGH TRUCKS.™**



# **HYSTER UT SERIES**

## **ELECTRIC WALKIE PALLET TRUCK**

**P2.0UT / 2000KG**

**[HYSTER.COM.AU](http://HYSTER.COM.AU)**

# P2.OUT

**THE HYSTER® ELECTRIC WALKIE PALLET TRUCK P2.OUT COMBINES ERGONOMIC FEATURES AND RELIABLE PERFORMANCE WITH ENERGY EFFICIENT TECHNOLOGY. THE LOW-MAINTENANCE HELPS INCREASE PRODUCTIVITY AND REDUCE OPERATIONAL COSTS.**

## Productivity

- Advanced AC control system eliminates the motor brushes, which limits maintenance requirements
- Low skirting on main chassis
- Side battery roll-out system is very convenient to replace batteries
- Built-in pressure relief valve protects the trucks from overloading
- Emergency power disconnect switch
- Long handle reduces steering effort
- Emergency reversing system in handle
- Low speed switch in the handle
- Variable speed control
- Cold store configuration (option)

## Optimum Structural Design

- Spring-loaded casters improve lateral stability on uneven floors and enhance truck performance and service life
- Formed heavy gauge steel provides maximum fork strength and longevity
- Pull rod design protects against bending
- Durable plastic covers

## Serviceability

- CANbus technology reduces wiring complexity
- Low battery protection setting extends the battery life
- All pivot points have grease fittings and serviceable bushing, reducing component wear



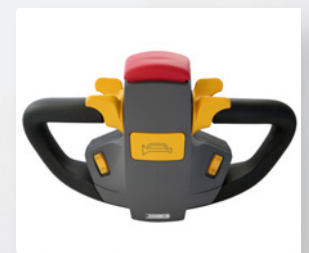
**Handle (Standard)  
(Left & Right Handed)**



**Entry Roller for  
Easy Operation**

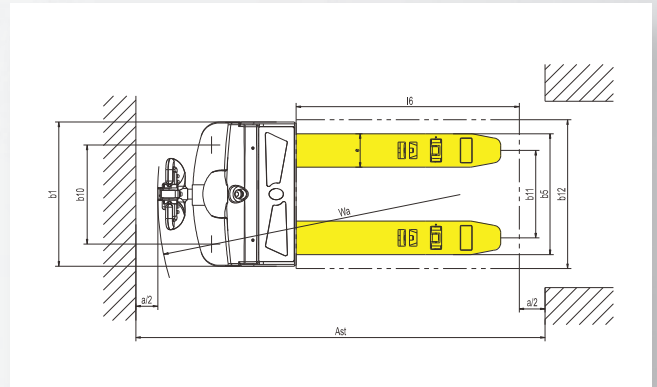
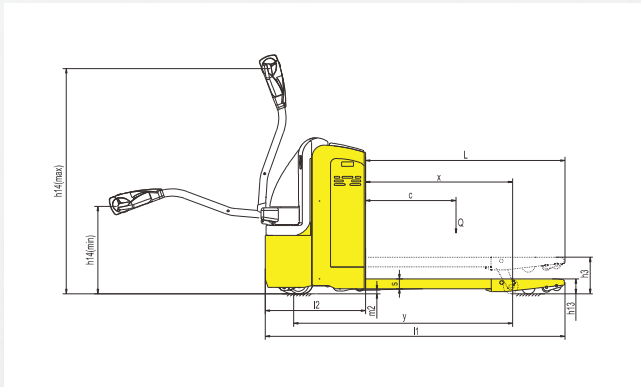


**One Sided (Cold Store)**



**Two Sided (Cold Store)**

# SPECIFICATIONS AND DIMENSIONS



MODEL	MEASUREMENT	P2.OUT
Load capacity/rated load	Q (kg)	2000
Load centre distance	c (mm)	600
Load distance, centre of drive axle to fork	x (mm)	815/865/935
Wheelbase	y (mm)	1280
Fork height, lowered	h13 (mm)	82
Tyre size, front	mm	Φ250x70
Tyre size, rear	mm	Φ82x126 (98)
Additional wheels (dimensions)	mm	Φ127x57
Wheels, number front rear (x=driven wheels)		1X+2/2 (4)
Max. lift height	h3 (mm)	202
Height of tiller in drive position min./max.	h14 (mm)	780/1230
Overall length	l1 (mm)	1655/1705/1775
Length to face of forks	l2 (mm)	555
Overall width	b1 (mm)	775
Fork dimensions	s/e/l (mm)	54x180x1100/1150/1220
Width overall forks	b5 (mm)	520/550/650/685
Aisle width for pallets 1000x1200 crossways	Ast (mm)	2015/2065/2135
Aisle width for pallets 800x1200 lengthways	Ast (mm)	2115/2115/2135
Turning radius	Wa (mm)	1400/1450/1520
Drive motor power	kW	1.2
Lift motor power	kW	0.8
Sound level at the driver's ear according to DIN12503	dB (A)	70
Travel speed, laden/unladen	Km/h	5.5/5.6
Battery voltage, nominal capacity K5	V/Ah	24/210
Battery weight	Kg	196
Battery box dimensions	mm	750x170x534
Service weight (with battery)	Kg	640-645

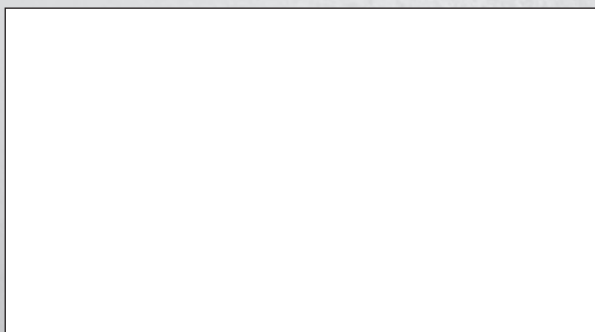
## P2.OUT Power Plug Type





# HYSTER® DEALERS

Contact your nearest Hyster® Dealership  
by visiting [www.hyster.com.au](http://www.hyster.com.au)



## HYSTER PACIFIC

1 Bullecourt Avenue, Milperra NSW, Australia 2214  
Tel: +61 (2) 9795 38007 Fax: +61 (2) 9792 8484  
[hyster.com/pacific/en-au](http://hyster.com/pacific/en-au)

## HYSTER ASIA

16 Tuas Avenue 20, Singapore 638827  
Tel: +65 6863 3387 Fax: +65 6863 3349  
[hyster.com/asia/en-sg](http://hyster.com/asia/en-sg)



/Hysterasiapacific



HysterJAPIC



Hyster Asia-Pacific