



**STRONG PARTNERS.  
TOUGH TRUCKS.™**



**J1.50-3.00EX 2**

**ELECTRIC COUNTERBALANCED TRUCK**

**1500-3000 KG**





## ABOUT HYSTER®

Hyster Company is a part of the NACCO Materials Handling Group, a global leader in the industry with manufacturing and technology centres in 12 locations around the world producing quality components and assembling complete trucks for markets such as the fast growing Asia-Pacific.

The Hyster® J1.50-3.00EX 2 Electric Counterbalanced Truck has the following benefits:

- Load handling speed and performance ranked as top of its kind in the industry
- Excellent visibility with a redesigned mast
- Long wheelbase, low profile tyres and a heavy battery set (DBB) increase machine stability
- Short turning radius to improve access and manoeuvrability in tight spaces
- Ergonomic features for operator comfort
- Aftermarket service and support

Hyster products are distributed and supported through an extensive network of exclusive dealers who provide local coverage through their sales and service locations across Asia and Pacific regions. Distribution partners were selected on the strength of their customer support capability and outstanding service ethic to bring quality products, sales consultancy and aftermarket services to customers in their local markets.

## J1.50-3.00EX 2 - FEATURES

### ▶ IMPROVED VISIBILITY THROUGH THE MAST

Inner mast has been widened to create an open view.



### ▶ LOAD WEIGHT METER

Displays the weight of the load when the machine is stationary.



### ▶ CARRIAGE LIGHT\*

Direct light on load and racks illuminates the work area when picking stock at different heights.

### ▶ POSITIONING LASER\*

Laser positioning assists in the correct placement of the forks into the pallet.



### ▶ WIDE TREAD/LOW PROFILE TYRES

Enhanced circling stability.

### ▶ OPERATOR COMFORT

Large cab with high head clearance and legroom for operator comfort.

### ▶ TRAVEL & LOAD HANDLING INTERLOCK

Operator presence is detected by a seat sensor. Operations are locked (disabled) when the operator leaves the seat.

### ▶ DROP BATTERY BOX (DBB)

Enhanced driving stability by placing the battery in the lower and rear part of the truck.

### ▶ LATERAL STABILITY

The new stability system reduces truck sway during turns.



\*Optional feature.



# J1.50-3.00EX 2 - SPECIFICATIONS

## STANDARD SPECIFICATIONS OF 48 VOLTS & 72 VOLTS

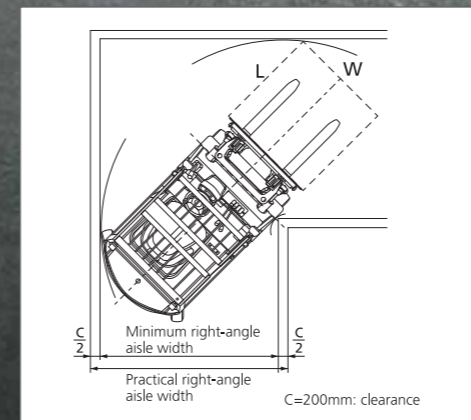
CHARACTERISTICS		HYSTER				
Chassis		Standard chassis				
Model		J1.50EX 2	J1.75EX 2	J2.00EX 2	J2.50EX 2	J3.00EX 2
Capacity	kg	1500	1750	2000	2500	3000
Load center	mm	500	500	500	500	500
Lift height	mm	3000	3000	3000	3000	3000
Standard free lift	mm	145	145	155	155	160
Tilt of mast	(Forward/backward) degree	6/10	6/10	6/10	6/10	6/10
Travel speed	Unladen km/h	15.0	15.0	15.0	15.0	18.0
(Standard tread)	Laden km/h	13.5	13.5	13.0	12.5	17.0
Lifting speed	Unladen mm/s	635	635	600	600	550
	Laden mm/s	450	420	355	340	400
Minimum turning radius	mm	1795	1825	1930	1960	2145
Equal aisle width	mm	1890	1940	2085	2115	2265
Overall length	With forks mm	3000	3035	3195	3395	3560
Overall width	mm	1100	1130	1265	1265	1265
Height	Canopy guard mm	2090	2090	2090	2090	2090
	Extended mast mm	4105	4105	4120	4120	4125
	Collapsed mast mm	1995	1995	1995	1995	2060
Fork length	mm	920	920	920	1070	1070
Fork spread	Max. - Min. mm	920 - 200	920 - 200	1020 - 250	1020 - 250	1060-250
Wheelbase	mm	1380	1380	1485	1485	1625
Tread	Front/Rear mm	910/905	950/905	1040/1015	1040/1015	1040/1015
Ground clearance	Mast mm	110	110	120	120	120
Unladen weight	w/ standard battery kg	2945	3240	3700	4195	4710
	w/o battery kg	2290	2585	2970	3250	3520
Tyre size	Front	6.00-9-10PR(I)	21x8-9-10PR(I)	23x9-10-16PR(I)	23x9-10-16PR(I)	23x9-10-20PR(I)
	Rear	5.00-8-8PR(I)	5.00-8-10PR(I)	18x7-8-10PR(I)	18x7-8-10PR(I)	18x7-8-14PR(I)
Control type	Drive	FET Inverter	FET Inverter	FET Inverter	FET Inverter	FET Inverter
	Hoist	FET Inverter	FET Inverter	FET Inverter	FET Inverter	FET Inverter
	Steering	IGBT Chopper	IGBT Chopper	IGBT Chopper	IGBT Chopper	IGBT Chopper
Drive motor	Type	AC Induction	AC Induction	AC Induction	AC Induction	AC Induction
	Rated output kw	6.5	6.5	8.7	8.7	11.7
Hoist motor	Type	AC Induction	AC Induction	AC Induction	AC Induction	AC Induction
	Rated output kw	9.6	9.6	9.6	9.6	16.2
Power steer motor	Type	DC Permanent Magnet	DC Permanent Magnet	DC Permanent Magnet	DC Permanent Magnet	DC Permanent Magnet
	Rated output kw	0.9	0.9	0.9	0.9	1.2
Battery compartment	W x L x H mm	465 x 980 x 780	465 x 980 x 780	570 x 1028 x 780	570 x 1028 x 780	710 x 1028 x 780
Battery capacity	Minimum Volt x Ah/hr	48 x 390/5	48 x 390/5	48 x 440/5	48 x 565/5	72 x 440/5
	Maximum Volt x Ah/hr	48 x 525/5	48 x 525/5	48 x 700/5	48 x 700/5	72 x 600/5
Battery charger (Optional)		Transformer Type	Transformer Type	Transformer Type	Transformer Type	Transistor Type
Input voltage		3 phase, 200-230v	3 phase, 200-230v	3 phase, 200-230v	3 phase, 200-230v	3 phase, 200-230v
Power source (kVA)	Standard battery kVA	5.9	5.9	8.3	8.3	9.8
Overall width	mm	-	-	1455	1455	1455
Tread	Front mm	-	-	1295	1295	1295
Unladen weight	w/o battery kg	-	-	2975	3250	3545
Tyre size	Front	-	-	5.50-15-8PR(I)	5.50-15-8PR(I)	5.50-15-8PR(I)

# J1.50-3.00EX 2 - SPECIFICATIONS

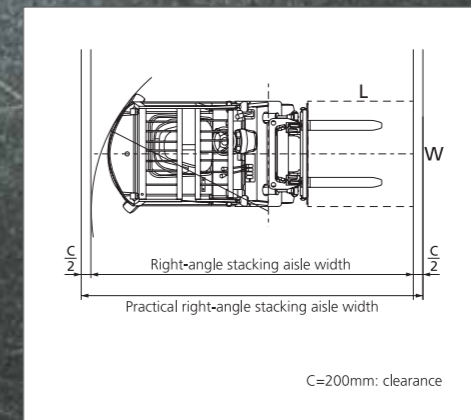
## INTERSECTING (IA) AND RIGHT-ANGLE STACKING (SA) AISLE WIDTHS (UNIT MM)\*

Model	Pallet Length Pallet Width	1000		1100		1200		1300		1400		1500	
		IA	SA	IA	SA	IA	SA	IA	SA	IA	SA	IA	SA
J1.50EX 2	800	1845	3205	1845	3305	1880	3405	1970	3505	2055	3605	2150	3705
	1000	1845	3205	1845	3305	1930	3405	2015	3505	2105	3605	2190	3705
	1100	1860	3205	1890	3305	1975	3405	2055	3505	2145	3605	2230	3705
	1200	1910	3210	1970	3310	2050	3410	2135	3510	2220	3610	2305	3710
	1300	1970	3215	2050	3315	2130	3410	2210	3510	2295	3610	2380	3710
	1400	2050	3220	2130	3320	2210	3420	2290	3515	2370	3615	2455	3715
	1500	2135	3230	2210	3325	2290	3425	2370	3525	2450	3625	2535	3720
	1800	2385	3260	2460	3360	2535	3455	2610	3550	2690	3650	2770	3745
J1.75EX 2	800	1940	3235	1940	3335	1940	3435	2005	3535	2090	3635	2185	3735
	1000	1940	3235	1940	3335	1965	3435	2050	3535	2140	3635	2225	3735
	1100	1940	3235	1940	3335	1995	3435	2075	3535	2165	3635	2250	3735
	1200	1970	3240	1970	3340	2050	3440	2135	3540	2220	3640	2305	3740
	1300	2020	3245	2050	3345	2130	3440	2210	3540	2295	3640	2380	3740
	1400	2070	3250	2130	3350	2210	3450	2290	3545	2370	3645	2455	3745
	1500	2135	3260	2210	3355	2290	3455	2370	3555	2450	3655	2535	3750
	1800	2385	3290	2460	3390	2535	3485	2610	3580	2690	3680	2770	3775
J2.00EX 2	800	2085	3395	2085	3495	2085	3595	2085	3695	2170	3795	2260	3895
	1000	2085	3395	2085	3495	2085	3595	2130	3695	2215	3795	2305	3895
	1100	2085	3395	2085	3495	2085	3595	2155	3695	2240	3795	2330	3895
	1200	2085	3395	2085	3495	2095	3595	2180	3695	2265	3795	2350	3895
	1300	2125	3400	2125	3500	2165	3600	2245	3700	2330	3800	2415	3900
	1400	2175	3405	2175	3505	2245	3605	2325	3705	2410	3805	2495	3900
	1500	2225	3415	2245	3510	2325	3610	2405	3710	2485	3810	2570	3910
	1800	2420	3445	2495	3540	2570	3640	2645	3735	2725	3835	2805	3930
J2.50EX 2	800	2115	3420	2115	3520	2115	3620	2115	3720	2170	3820	2260	3920
	1000	2115	3420	2115	3520	2115	3620	2130	3720	2215	3820	2305	3920
	1100	2115	3420	2115	3520	2115	3620	2155	3720	2240	3820	2330	3920
	1200	2115	3425	2115	3525	2115	3625	2180	3725	2265	3825	2350	3925
	1300	2155	3430	2155	3530	2165	3630	2245	3725	2330	3825	2415	3925
	1400	2205	3435	2205	3535	2245	3630	2325	3730	2410	3830	2495	3930
	1500	2255	3440	2255	3540	2325	3640	2405	3740	2485	3835	2570	3935
	1800	2420	3470	2495	3570	2570	3665	2645	3765	2725	3860	2805	3960
J3.00EX 2	800	2265	3635	2265	3735	2265	3835	2265	3935	2265	4035	2265	4135
	1000	2265	3635	2265	3735	2265	3835	2265	3935	2265	4035	2310	4135
	1100	2265	3635	2265	3735	2265	3835	2265	3935	2265	4035	2330	4135
	1200	2265	3635	2265	3735	2265	3835	2265	3935	2270	4035	2355	4135
	1300	2305	3635	2305	3735	2305	3835	2305	3935	2335	4035	2420	4135
	1400	2355	3640	2355	3740	2355	3840	2355	3940	2415	4040	2500	4140
	1500	2405	3645	2405	3745	2405	3845	2410	3945	2490	4045	2575	4145
	1800	2555	3675	2555	3770	2575	3870	2650	3965	2730	4065	2810	4165

MINIMUM RIGHT-ANGLE AISLE WIDTH



RIGHT-ANGLE STACKING AISLE WIDTH



\*Figure does not include the turning capacity of 200mm in the practical right-angle stacking aisle width.



# J1.50-3.00EX 2 - SPECIFICATIONS

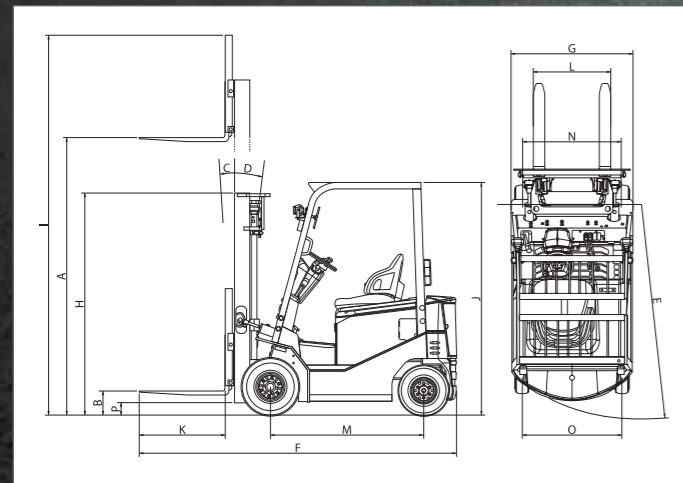
## MAST

Model	1.5 - 1.75ton					2.0 - 2.5ton					3.0ton					
	J1.50EX 2 - J1.75EX 2					J2.00EX 2 - J2.50EX 2					J3.00EX 2					
Mast Type	MFH mm	Overall Lowered Height mm	Overall Extended Height** mm	Free Lift* mm	Back Tilt Deg	MFH mm	Overall Lowered Height mm	Overall Extended Height** mm	Free Lift* mm	Back Tilt Deg	MFH mm	Overall Lowered Height mm	Overall Extended Height** mm	Free Lift* mm	Back Tilt Deg	
Simplex (2-Stage Limited Free Lift)	Standard	3010	1995	3955	145	10	3030	1995	3970	155	10	3035	2060	4125	160	10
	Optional	3310	2145	4255	145	10	3330	2170	4270	155	10	3335	2210	4425	160	10
	Optional	3510	2245	4455	145	10	3530	2270	4470	155	10	3535	2310	4625	160	10
	Optional	3710	2345	4655	145	10	3730	2420	4670	155	10	3735	2440	4825	160	10
	Optional	4010	2595	4955	145	6	4030	2620	4970	155	10	4035	2640	5125	160	10
	Optional	4310	2745	5255	145	6	4330	2770	5270	155	6	4335	2790	5425	160	6
	Optional	4510	2845	5455	145	6	4530	2870	5470	155	6	4535	2890	5625	160	6
Full-free (2-Stage Full Free Lift)	Optional	5010	3095	5955	145	6	5030	3120	5970	155	6	5035	3140	6125	160	6
	Optional	3000	1995	3950	1075	10	2980	1995	3920	1075	10	3060	2140	4150	1070	10
	Optional	3300	2145	4250	1225	10	3370	2270	4310	1350	10	3360	2290	4450	1220	10
	Optional	3500	2245	4450	1325	10	3570	2370	4510	1450	10	3560	2390	4650	1320	10
Triplex (3-Stage Full Free Lift)	Optional	3700	2345	4650	1425	10	3820	2520	4760	1600	10	3810	2540	4900	1470	10
	Optional	4100	2595	5050	1675	6	4170	2720	5110	1800	6	4160	2740	5250	1670	6
	Optional	4000	1895	4945	975	6	4120	1970	5060	1050	6	4110	1990	5200	920	6
	Optional	4350	1995	5295	1075	6	4330	2040	5270	1120	6	4320	2060	5410	990	6
	Optional	4500	2045	5445	1125	6	4570	2120	5510	1200	6	4560	2140	5650	1070	6
	Optional	4800	2145	5745	1225	6	5020	2270	5960	1350	6	5010	2390	6100	1320	6
	Optional	5100	2245	6045	1325	6	5320	2370	6260	1450	6	5310	2540	6400	1470	6
Optional	5400	2345	6345	1425	6	5520	2470	6460	1550	6	5710	2740	6800	1670	6	
Optional	6000	2595	6945	1675	6	6020	2720	6960	1800	6	6010	2890	7100	1820	6	

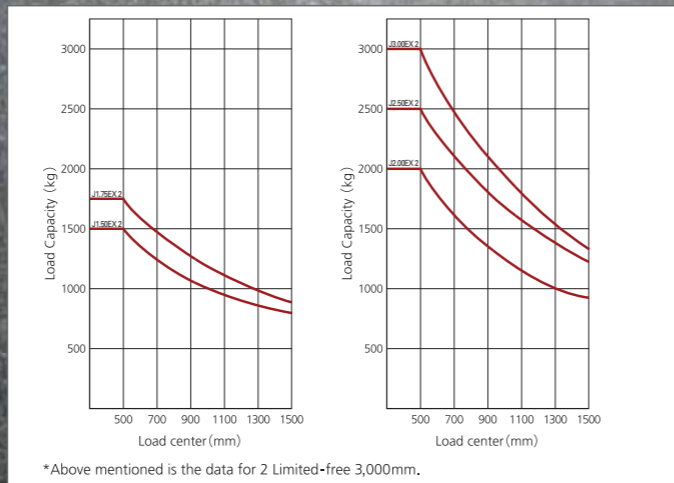
\* With standard load backrest 1070mm

\*\* Unladen with standard LBR

## DIMENSION CHART



## LOAD CAPACITY CHARTS



# J1.50-3.00EX 2 - STANDARD FEATURES & OPTIONS

## STANDARD FEATURES

### Travel/Hoist Related

- Travel/Hoist AC motor
- Power steering
- Soft landing

### Cockpit

- Small diameter steering wheel
- Manifest clip

### Display

- LCD display

### Travel/Hoist Related

- Travel and load handling interlock
- Neutral start

### Other

- Back buzzer
- Ramp start

### Lamp related

- Headlights
- Turning indicators

### Travel/Hoist Related

- Accelerator pedal/driving power control
- High-visibility wide mast

### Battery

- Auto power off
- Neutral brake shift lever regeneration
- BDI interrupt (stop hoisting over-discharging)

## OPTIONAL FEATURES

### Travel/Hoist Related

- Left hand shift lever

### Cockpit

- Suspension seat
- Seat heater
- Front windshield
- Canvas cabin
- Acrylic cover

### Display

- Full function display (full-dot LCD)

### Travel/Hoist Related

- Forward/back movement chimer
- Forward/back melodic chimer

### Other

- Horn switch
- Parking brake warning
- Solid tyres
- Long fork
- High backrest

### Other

- Large size rear view mirror
- Large size room mirror

### Lamp related

- LED headlight (round type/square type/automatic illuminance control type)
- LED rear combination light
- LED rotating light
- LED work/room light
- Carriage light
- Positioning laser

### Travel/Hoist Related

- Simple load weight scale

### Battery

- Spare battery

### Environmental Specs

- General freezer refrigerator spec. model (Up to -35°C/-45°C)
- Anti-rust spec. model





# HYSTER® DEALERS

Contact your nearest Hyster Dealership  
by visiting [www.hyster.com](http://www.hyster.com)



Contact your local Hyster Dealer



## HYSTER ASIA PACIFIC

1 Bullecourt Avenue, Milperra NSW, Australia 2214

Tel: +61 (2) 9795 3800 Fax: +61 (2) 9792 8484



/Hysterasiapacific



@Hyster\_AP