

H135-155FT SERIES



**STRONG PARTNERS.
TOUGH TRUCKS.™**

TECHNICAL GUIDE

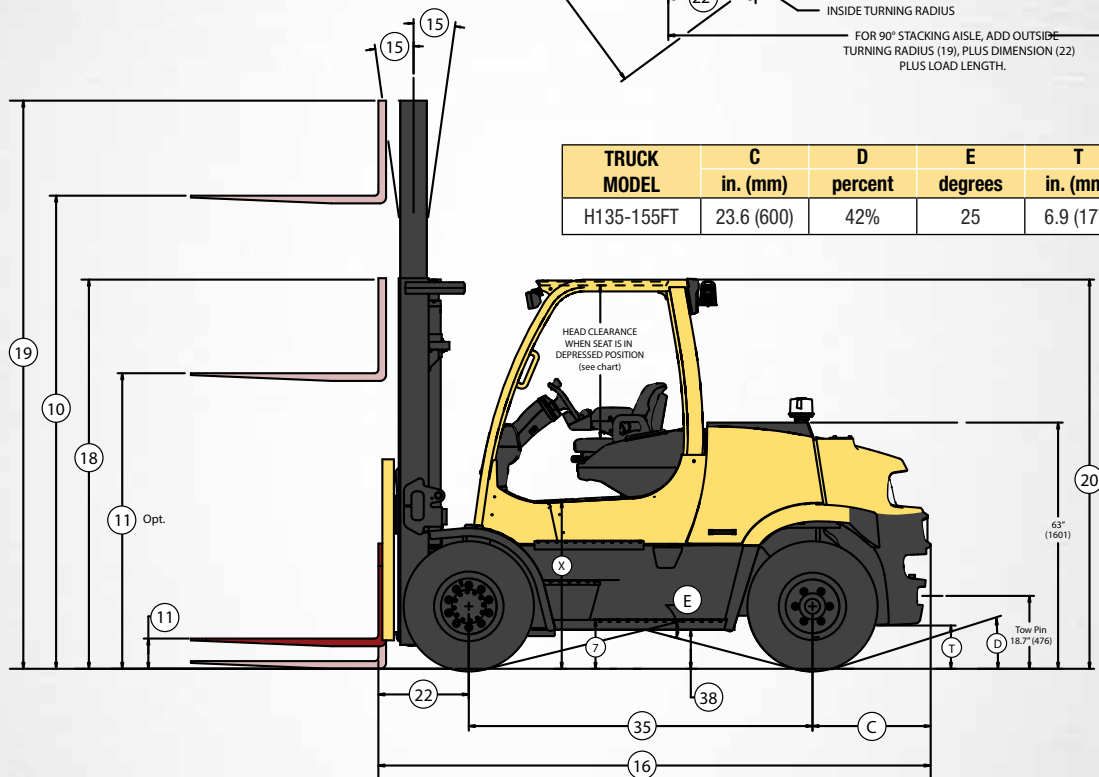
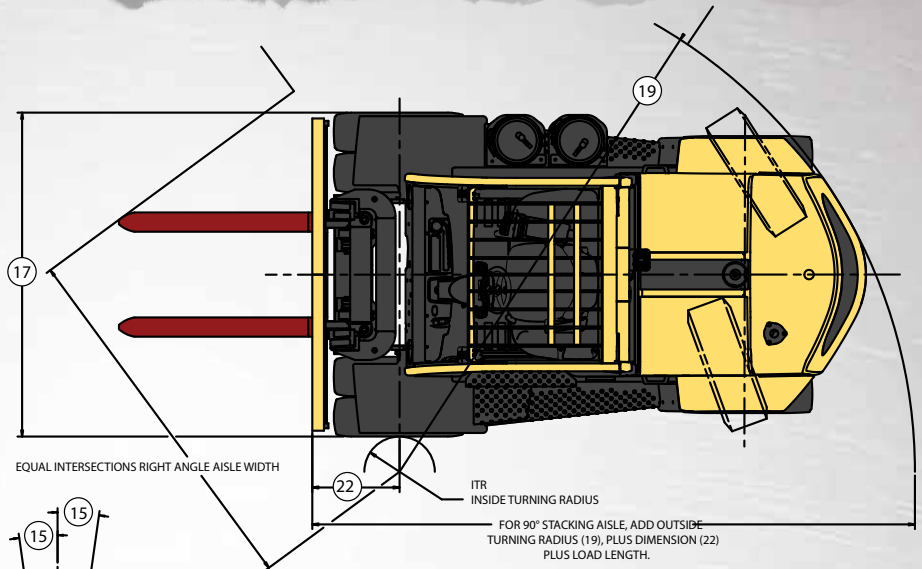
Sit-down, Counterbalanced IC, Pneumatic Tire

H135-155FT DIMENSIONS

Circled dimensions correspond to the line numbers on the tabulated chart inside the Technical Guide. Dimensions are in inches (millimeters).

Seat Type	Standard OHG*	Optional Cab*
Non-Suspension	38.2 (971.2)	38.2 (971.2)
Full-Suspension	38.0 (965.2)	38.0 (965.2)
Swivel Full-Suspension	38.0 (965.2)	38.0 (965.2)

Seat in depressed position*



TRUCK MODEL	C	D	E	T	X
	in. (mm)	percent	degrees	in. (mm)	in. (mm)
H135-155FT	23.6 (600)	42%	25	6.9 (177)	33.2 (844)

STANDARD LIFT SPECIFICATIONS

Maximum Fork Height (TOF) †	Overall Lowered Height	Overall Extended Height w/ Load Backrest	Overall Extended Height w/o Load Backrest	Free-Lift (TOF) w/Load Backrest	Free-Lift (TOF) w/o Load Backrest
in (mm)	in (mm)	in (mm)	in (mm)	in (mm)	in (mm)
2-STAGE LIMITED FREE-LIFT (LFL) VISTA™ MAST					
118 (3000)	100 (2540)	172 (4354)	166 (4195)	6 (160)	6 (160)
133 (3400)	108 (2740)	188 (4754)	181 (4595)	6 (160)	6 (160)
173 (4400)	128 (3240)	227 (5754)	221 (5595)	6 (160)	6 (160)
212 (5400)	148 (3740)	266 (6754)	260 (6595)	6 (160)	6 (160)
3-STAGE FULL FREE-LIFT (FFL) VISTA™ MAST					
185 (4700)	102 (2570)	239 (6054)	230 (5830)	47 (1216)	56 (1440)
220 (5600)	113 (2870)	274 (6954)	265 (6730)	59 (1516)	68 (1740)
244 (6200)	123 (3120)	298 (7554)	289 (7330)	69 (1766)	78 (1990)

† Lift heights over 212" (5400 mm) maximum fork height are considered highlifts and require reduced capacity and restricted back tilt.

H135-155FT SPECIFICATIONS

		Hyster H135FT		Hyster H155FT			
GENERAL	1	Manufacturer	Hyster		Hyster		
	2	Model	H135FT		H155FT		
		Engine	GM 4.3L	Kubota 3.8L	GM 4.3L	Kubota 3.8L	
	3	Rated Capacity	13,500 (6,000)		15,500 (7,000)		
	4	Load Center, Distance	24 (610)		24 (610)		
	5	Engine/Power Type - Gasoline, LPG, Diesel	LPG	Diesel	LPG	Diesel	
	6	Operator Type	Seated Rider		Seated Rider		
	7	Step Height	12.6 (321)		12.6 (321)		
	8	Tire Type - Cushion, Solid, Pneumatic	Pneumatic		Pneumatic		
DIMENSIONS	9a	Wheels, Number - Front/Rear (X = driven)	4X/2		4X/2		
	9b	Track Width, Front / Rear	72.7 (1846) / 60.5 (1535)		72.7 (1846) / 60.5 (1535)		
	10	Lift Height, w/LBR (TOF) (Rounded Down)	212 (5400)		212 (5400)		
	11a	Std Free Lift Height (TOF) (Rounded Down)	6 (160)		6 (160)		
	11b	Optional Full Free Lift w/ LBR (TOF) (Rounded Down)	95 (2416)		95 (2416)		
	11c	Optional Full Free Lift w/o LBR (TOF) (Rounded Down)	103 (2640)		103 (2640)		
	12	Standard Carriage Width	78 (1981)		78 (1981)		
	13	Standard Forks, Thickness x Width x Length	6 x 2.5 x 48 (150 x 60 x 1219)		6 x 2.5 x 48 (150 x 60 x 1219)		
	14a	Standard Fork Spread, Minimum Inside Dimensions	6.3 (160)		6.3 (160)		
	14b	Standard Fork Spread, Maximum Outside Dimensions	73.9 (1876)		73.9 (1876)		
	15	Mast Tilt, Forward/Backward	5 / 10		5 / 10		
	16	Overall Length (to Face of Forks)	141.9 (3604)		144.4 (3669)		
	17	Overall Width	82.0 (2082)		82.0 (2082)		
	18	Height, Standard Mast - Lowered	148 (3740)		148 (3740)		
	19a	Height, Standard Mast - Extended w/o LBR (Rounded Up)	260 (6595)		260 (6595)		
	19b	Height, Standard Mast - Extended w/ LBR (Rounded Up)	266 (6754)		266 (6754)		
	20a	Height, Standard Overhead Guard (High) (Rounded Up)	100 (2531)		100 (2531)		
	20b	Height, Standard Overhead Guard (Cab) (Rounded Up)	101 (2549)		101 (2549)		
	21a	Turning Radius, Minimum Outside (OTR)	130.7 (3320)		133.4 (3388)		
	21b	Turning Radius, Minimum Inside (ITR)	9.1 (230)		9.1 (230)		
	22	Length, Center of Wheels to Face of Forks	23.7 (601)		23.7 (601)		
	23a	Aisle Width, Right Angle Stack (pallet w=42in, L=48in)	202.4 (5140)		205.0 (5207)		
	23a	Aisle Width, Right Angle Stack (Add Length of Load)	154.4 (3921)		157.0 (3988)		
	24	Equal Aisle, 90-Degree Intersecting Aisle	111.6 (2835)		111.8 (2865)		
PERFORMANCE	25a	Travel Speed Fwd, RL/NL w/ 2-speed (Fwd) Transmission	13.6/14.3 (22.0/23.0)	13.3/13.6 (21.4/22.0)	13.6/14.3 (21.9/23.0)	13.3/13.6 (21.4/21.9)	
	25b	Travel Speed Fwd, RL/NL w/ 3-speed (Fwd) Transmission	15.1/16.0 (24.4/25.7)	14.5/15.1 (23.3/24.4)	15.1/15.9 (24.2/25.6)	14.4/15.1 (23.2/24.2)	
	25c	Travel Speed Rev, RL/NL w/ either Transmission	13.6/14.3 (22.0/23.0)	13.3/13.6 (21.4/22.0)	13.6/14.3 (21.9/23.0)	13.3/13.6 (21.4/21.9)	
	26a	Lift Speed, Standard 2-Stage LFL RL/NL	104/106 (.53/.54)	94/96 (.48/.49)	104/106 (.53/.54)	94/96 (.48/.49)	
	26b	Lift Speed, Optional 3-Stage FFL RL/NL	100/102 (.51/.52)	93/93 (.47/.47)	100/102 (.51/.52)	93/93 (.47/.47)	
	27a	Lowering Speed, Standard 2-Stage LFL RL/NL	114/104 (.58/.53)		114/104 (.58/.53)		
	27b	Lowering Speed, Optional 3-Stage FFL RL/NL	104/81 (.53/.41)		104/81 (.53/.41)		
	28a	2-Spd Xmsn Drawbar Pull @ Maximum RL/NL	9554/5674 (4334/2574)	10500/5674 (4763/2574)	9509/5952 (4313/2700)	10500/5952 (4763/2700)	
	28b	2-Spd Xmsn Drawbar Pull @ 1 mph RL/NL	7981/5674 (3620/2574)	10500/5674 (4763/2574)	7936/5952 (3600/2700)	10500/5952 (4763/2700)	
	28c	2-Spd Xmsn Drawbar Pull @ 3 mph RL/NL	5463/5674 (2478/2574)	6910/5674 (3134/2574)	5350/5952 (2427/2700)	7341/5674 (3330/2574)	
	29a	2-Spd Xmsn Minimum Gradeability RL/NL	30/30	33/30	27/30	30/30	
	29b	2-Spd Xmsn Gradeability @ 1 mph RL/NL	24/30	33/30	22/30	30/30	
	29c	2-Spd Xmsn Gradeability @ 3 mph RL/NL	17/30	23/30	16/30	20/30	
	28a	3-Spd Xmsn Drawbar Pull @ Maximum RL/NL	10000/5674 (4536/2574)	11500/5674 (5216/2574)	10000/5952 (591/2700)	11500/5952 (5216/2700)	
	28b	3-Spd Xmsn Drawbar Pull @ 1 mph RL/NL	10000/5674 (4536/2574)	11500/5674 (5216/2574)	10000/5952 (4536/2700)	11500/5952 (5216/2700)	
	28c	3-Spd Xmsn Drawbar Pull @ 3 mph RL/NL	6474/5674 (2937/2574)	6855/5952 (3109/2700)	6924/5952 (3141/2700)	7286/5952 (3305/2700)	
	29a	3-Spd Xmsn Minimum Gradeability RL/NL	32/30	37/30	28/30	33/30	
	29b	3-Spd Xmsn Gradeability @ 1 mph RL/NL	32/30	37/30	28/30	33/30	
	29c	3-Spd Xmsn Gradeability @ 3 mph RL/NL	21/30	23/30	20/30	20/30	
	WT.	30	Weight, Standard Truck RL/NL	33161 (15042) / 19660 (8918)	33271 (15092) / 19770 (8968)	36293 (16462) / 20792 (9431)	36403 (16512) / 20902 (9481)
		31a	Axle Loading, Static Front/Rear NL	9457/10203 (4290/4628)	9512/10258 (4315/4653)	9160/11632 (4155/5276)	9215/11687 (4180/5301)
		31b	Axle Loading, Static Front/Rear RL	30268/2893 (13729/1312)	30323/2948 (13754/1337)	33051/3239 (14992/1469)	33106/3294 (15017/1494)
	TIRES & WHEELS	32	Tire Size, Front / Rear	8.25 X 15 14PR / 8.25 X 15 14PR		8.25 X 15 14PR / 8.25 X 15 14PR	
		34	Wheelbase	88.0 (2235)		88.0 (2235)	
35		Ground Clearance Under Mast, RL	5.7 (146)		5.7 (146)		
36		Ground Clearance, Center of Wheelbase	10.0 (253)		10.0 (253)		
37		Service Brake - Method of Control/Operation	Foot / Hydraulic		Foot / Hydraulic		
38		Park Brake - Method of Control/Operation	Hand / Mechanical		Hand / Mechanical		
39		Battery Type	Maintenance Free		Maintenance Free		
40		Volts / Cold Cranking Amps	12V/475	12V/1800 (2x 900)	12V/475	12V/1800 (2x 900)	
POWERTRAIN	41	Engine Manufacturer	GM 4.3L	Kubota 3.8L Turbo Diesel	GM 4.3L	Kubota 3.8L Turbo Diesel	
	42	Engine Power @ Governed Speed	96 (72) @ 2400 RPM	105 (78) @ 2400 RPM	96 (72) @ 2400 RPM	105 (78) @ 2400 RPM	
	43	Torque @ Rated RPM	210 (285) @2400 RPM	275 (373) @ 1600RPM	210 (285) @2400 RPM	275 (373) @ 1600RPM	
	44	Number of Cylinders / Displacement	6/4302 (262)	4/3769 (230)	6/4302 (262)	4/3769 (230)	
	45	Transmission Type, Standard	Powershift		Powershift		
	46a	Standard Speeds, Forward/Reverse	2/2		2/2		
	46b	Optional Speeds, Forward/Reverse	3/2		3/2		
	47	Hydraulic Tank Capacity (Drain and Refill)	18.9 (71.7)		18.9 (71.7)		
	48	Fuel Tank Capacity (Diesel Powered Units Only)	19.7 (74.8)		19.7 (74.8)		
49	Auxiliary Hydraulic Pressure Relief for Attachments	2250 (155)		2250 (155)			

CERTIFICATION: These Hyster lift trucks meet design specifications of Part II ANSI B56.1-1969, as required by OSHA Section 1910.178(a)(2) and also comply with Part III ANSI B56.1-revision in effect at time of manufacture. Certification of compliance with the applicable ANSI standard appears on the lift truck.

† NOTE: Performance specifications / ratings are for truck equipped as described under Standard Equipment in this Technical Guide. Performance specifications are affected by the condition of the vehicle and how it is equipped, as well as by the nature and condition of the operating area. Specifications are subject to change and the proposed application should be discussed with your authorized Hyster Company Dealer.

‡ Limited by traction. For further information on this dimension, please contact your local Hyster dealer.

STANDARD FEATURES AND OPTIONS

STANDARD EQUIPMENT

- GM 4.3L, V-6 emissions compliant engine
- Electronic powershift transmission
 - Hydraulic inching
 - Electronic shift control
 - 2 speeds forward, 2 speeds reverse
- Oil-cooled wet disc brakes
- MONOTROL® pedal
- 2-Stage limited free-lift (LFL) VISTA™ mast with maximum fork height of 133" (2400 mm)
- 48.0" (1219 mm) wide hook-type carriage with 48.0" (1219) tall load backrest extension
- 48.0" (1219 mm) long forks
- 6 degrees forward and 10 degrees backward mast tilt
- 3-function hydraulic control valve
- Integrated dashboard display includes:
 - LCD display:
 - Fuel level (diesel only)
 - Hour meter
 - Coolant temperature
 - Clock
 - Messages
 - Service indicator lights:
 - Alternator
 - Transmission oil temperature
 - Engine oil pressure
 - Brake fluid level
 - Fasten seat belt
 - Low fuel level
 - Engine malfunction
 - System malfunction
 - Park brake
 - Coolant temperature
 - Forward, reverse and neutral direction indicators
- Hydrostatic power steering
- Non-suspension vinyl seat
- No-cinch seat belt
- Electronic horn
- Adjustable steer column
- Rubber floor mat
- High air intake
- Integral tie downs
- Operator restraint system
- Combi-cooler radiator
- Single pedal inch brake
- Cowl-mounted hydraulic control levers
- Swing out LPG tank bracket
- Pressure sensing low LPG fuel sensor
- 100" (2531 mm) tall overhead guard
- 12 months / 2,000 hours manufacturer's warranty
- 36 months / 6,000 hours manufacturer's powertrain warranty
- Operator's manual
- UL Classification LPG


OPTIONS

- High output Kubota 3.8L EPA Certified Tier 4 Final turbo diesel engine
- DuraMatch™ transmission
 - Electronic inching
 - Electronic shift control
 - Auto deceleration system
 - Controlled power reversal
 - Controlled roll back on ramps
 - 3 speeds forward, 2 speeds reverse
- LED lights (brake/tail/back-up)
- Powertrain protection system
- Premium monitoring
- High air intake with precleaner
- Accumulator
- Keyless start (with auxiliary key switch)
- Dual LPG tank bracket
- Return to set tilt
- TouchPoint hydraulic mini-levers with fully adjustable armrest
- Rear drive handle with horn button
- Full suspension seat - vinyl or cloth
- Swivel full-suspension seat - vinyl or cloth
- High-visibility non-cinch seat belt with or without interlock
- Impact monitor with immediate or delayed shutdown
- Load weight display
- Operator pre-shift checklist
- Dual-inch brake pedals
- Operator password protection
- Audible reverse activated 82-102 dB(A) self-adjusting alarm
- Visible amber LED strobe light - continuously activated, overhead guard mounted
- Parts publications - printed or CD, serial number specific
- UL Classification D, LPS, DS
- Various light packages available with halogen or high intensity LED:
 - Two front and one rear work lights
 - Two front, one rear work light and two brake/tail/back-up lights
- Cab includes the following:
 - Front and rear wiper
 - Full light package
 - Integral heater
 - Defogger
 - Removable doors
 - Operator dome light
 - Fan
 - Optional air conditioning
- Side view mirrors



Hyster Company
P.O. Box 7006
Greenville, North Carolina
27835-7006
Part No. H135-155FT/TG
9/2015 Litho in U.S.A.

Visit us online at www.hyster.com or call us at **1-800-HYSTER-1**.

Hyster, and  are registered trademarks of Hyster Company.
Hyster products are subject to change without notice.

All trucks shown with optional equipment. © 2015 Hyster Company. All rights reserved.