



**STRONG PARTNERS.
TOUGH TRUCKS.™**

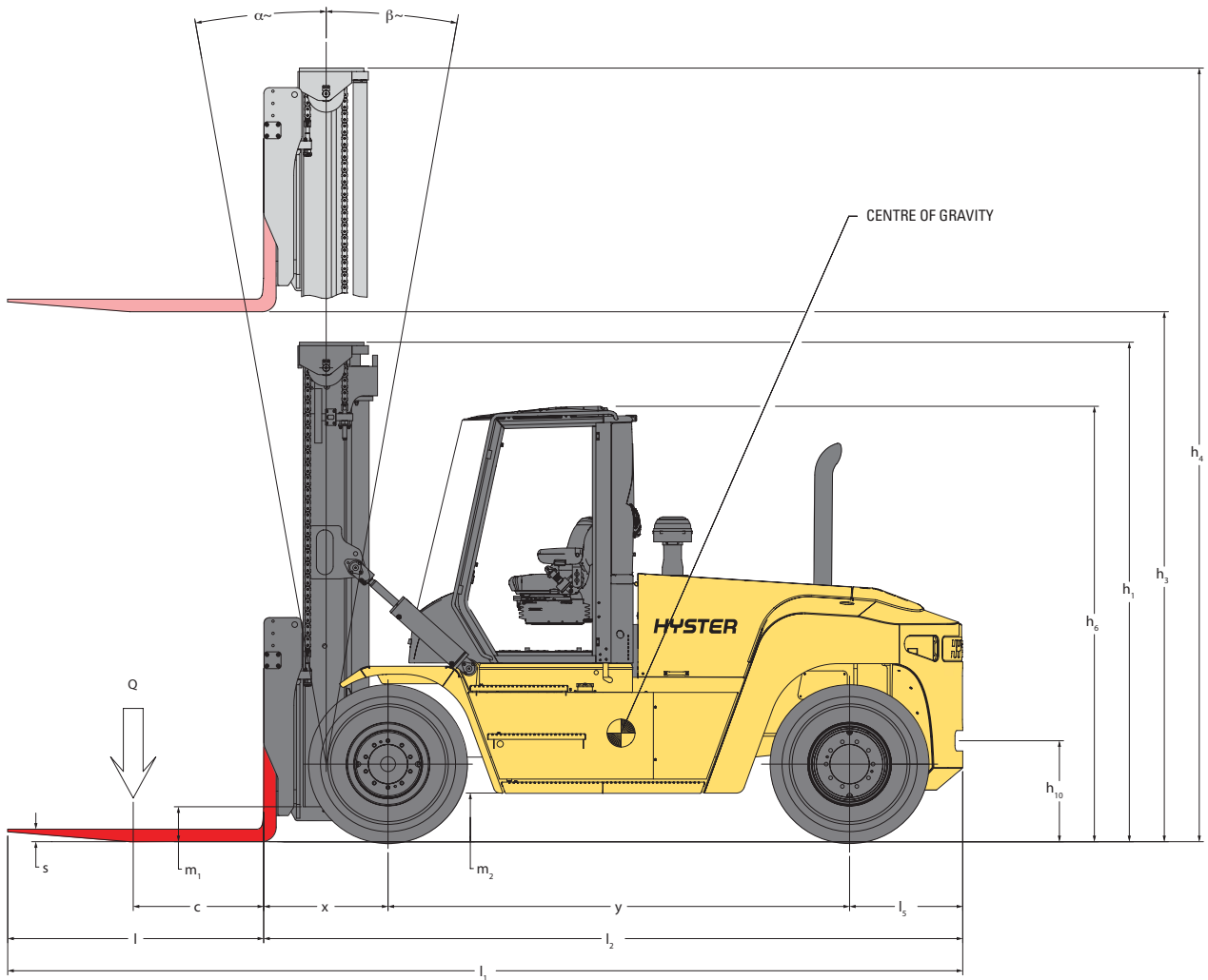


H10-16XD6-12 SERIES TECHNICAL GUIDE



WWW.HYSTER.COM

> DIMENSIONS



= Centre of gravity of unladen truck

$A_{ST} = W_a + x + l_6 + a$ (if $b_{12}/2 < b_{13}$)

$A_{ST} = W_a + ((l_6+x)^2 + (b_{12}/2-b_{13})^{0.5} + a$ (if $b_{12}/2 > b_{13}$ and $W_a > b_{13} + b_{12}/2$)

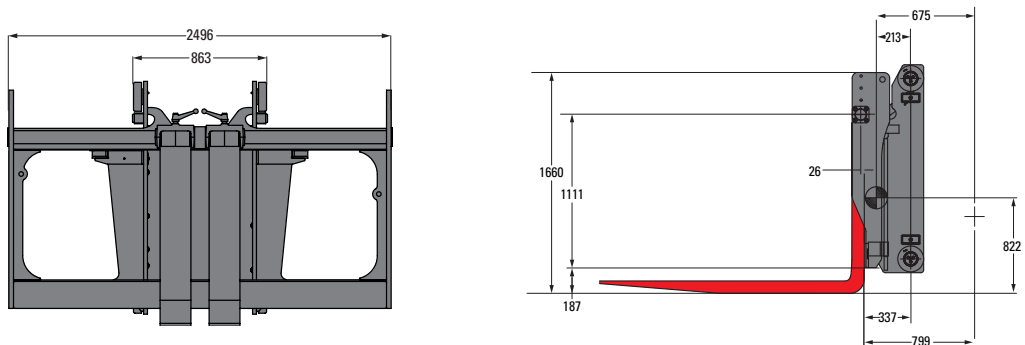
$A_{ST} = b_{13} + b_{12}/2 + ((l_6+x)^2 + (b_{12}/2-b_{13})^{0.5} + a$ (if $b_{12}/2 > b_{13}$ and $W_a < b_{13} + b_{12}/2$)

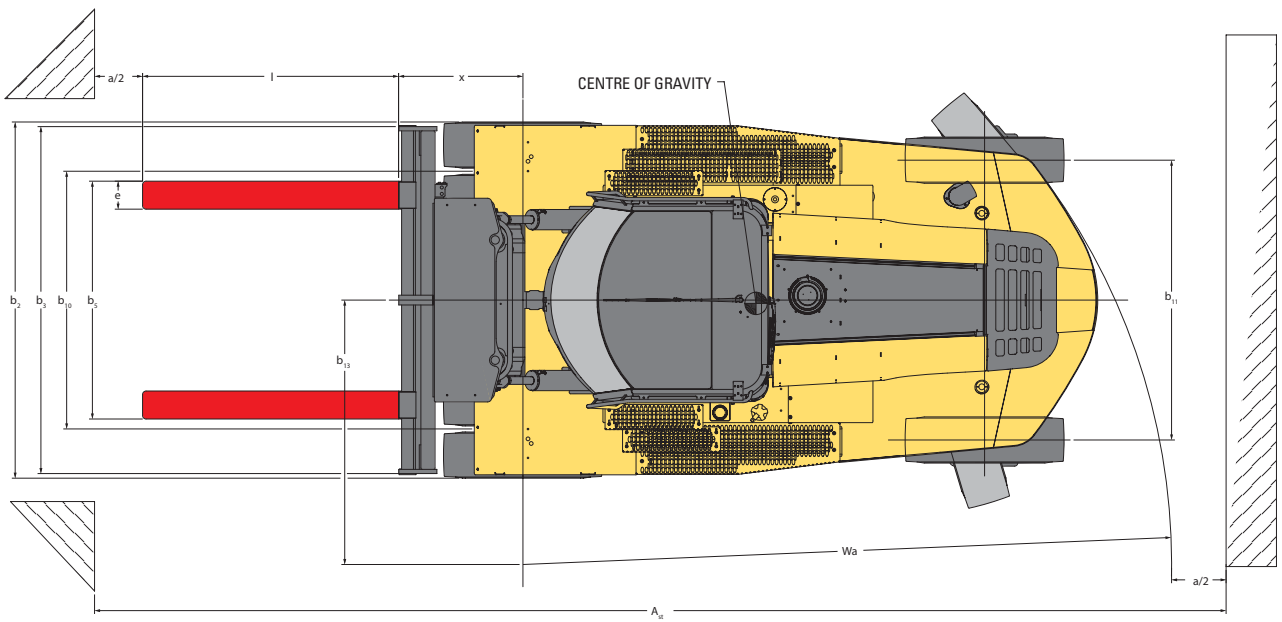
a = Minimum operating clearance = 10% of A_{ST}
(VDI standard = 200 mm BITA recommendation = 300 mm)

l_6 = load lengths

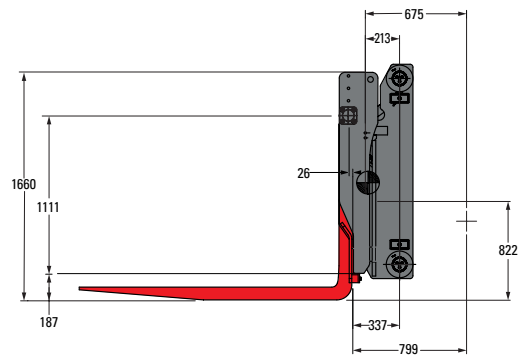
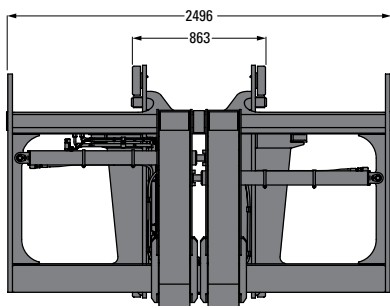
b_{12} = load width

Standard pin type carriage

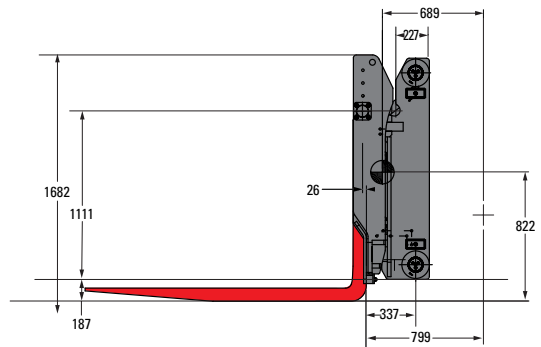
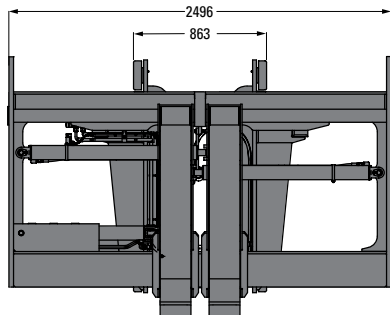




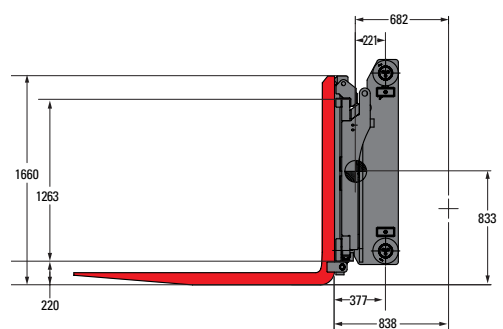
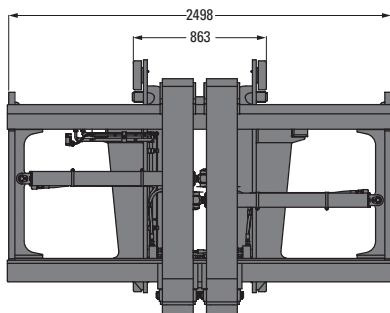
Pin type carriage with fork positioner



Pin type integral sideshift frame carriage with fork positioner



Dual function sideshift carriage with fork positioner



> H13XD6 / H14XD6 SPECIFICATIONS

	GENERAL				HYSTER		HYSTER	
	Code	Description	Unit	Value	Value	Value	Value	
GENERAL	1-1	Manufacturer			HYSTER		HYSTER	
	1-2	Model designation			H13XD6		H14XD6	
	1-3	Powertrain / drivetrain			Diesel		Diesel	
	1-4	Operator type			Seated		Seated	
	1-5	Rated capacity / rated load	Q	kg	13,500		14,500	
	1-6	Load centre distance	c	mm	600		600	
	1-8	Load distance	x	mm	889		889	
	1-9	Wheelbase	y	mm	3,300		3,300	
	WEIGHT	2-1	Service weight (1)		kg	18,403		19,208
2-2		Axle loading with load, front / rear		kg	29,537	2,366	30,970	2,738
2-3		Axle loading without load, front / rear		kg	9,945	8,458	9,927	9,281
WHEELS	3-1	Tyre type			Pneumatic		Pneumatic	
	3-2	Tyre size, front			12.00-20 20PR		12.00-20 20PR	
	3-3	Tyre size, rear			12.00-20 20PR		12.00-20 20PR	
	3-5	Wheels, number front / rear (x = driven wheels)			4X / 2		4X / 2	
	3-6	Tread, front	b ₁₀	mm	1,842		1,842	
	3-7	Tread, rear	b ₁₁	mm	2,000		2,000	
DIMENSIONS	4-1	Mast tilt, forward / backward	α/β	deg	15° / 12°		15° / 12°	
	4-2	Height, mast lowered	h ₁	mm	4,193		4,193	
	4-3	Free lift	h ₂	mm	0		0	
	4-4	Lift	h ₃	mm	4,910		4,910	
	4-5	Height, mast extended	h ₄	mm	6,648		6,648	
	4-7	Height of overhead guard (open cab)	h ₆	mm	3,083		3,083	
	4-7-1	Height of overhead guard (closed cab)	h ₆	mm	3,110		3,110	
	4-7-2	Height of overhead guard (closed cab w/ aircon)	h ₆	mm	3,110		3,110	
	4-7-3	Height of overhead guard (closed cab w/ strobe light)	h ₆	mm	3,205		3,205	
	4-7-4	Height of overhead guard (closed cab w/ work lights)	h ₆	mm	3,259		3,259	
	4-7-5	Height of overhead guard (closed cab w/ aircon & strobe light)	h ₆	mm	3,235		3,235	
	4-8	Seat height to SIP	h ₇	mm	1,903		1,903	
	4-12	Coupling height	h ₁₀	mm	717		717	
	4-16	Overhang	l ₅	mm	809		809	
	4-19	Overall length	l ₁	mm	6,828		6,828	
	4-20	Length to face of forks	l ₂	mm	4,998		4,998	
	4-21	Overall width	b ₂	mm	2,541		2,541	
	4-22	Fork dimensions ISO 2331	s/e/l	mm	90 / 200 / 1.830		90 / 200 / 1.830	
	4-23	Fork carriage type			85 mm pin type carriage		85 mm pin type carriage	
	4-24	Fork carriage width	b ₃	mm	2,496		2,496	
	4-25	Distance between fork-arms	b ₅	mm	470	2,420	470	2,420
	4-30	Sideshift	b ₈	mm	0		0	
	4-31	Ground clearance, laden, below mast	m ₁	mm	245		245	
	4-32	Ground clearance, centre of wheelbase	m ₂	mm	341		341	
	4-33	Load dimension b ₁₂ × l ₆ crossways		mm	1,200	1,200	1,200	1,200
	4-34-1-2	Aisle width, with 200 mm operating clearance	Ast	mm	6,873		6,873	
4-34-1-3	Aisle width, with 10% operating clearance	Ast	mm	7,340		7,340		
4-35	Outside turning radius	W _a	mm	4,584		4,584		
4-36	Internal turning radius	b ₁₃	mm	1,890		1,890		
PERFORMANCE	5-1	Travel speed, with / without load (2)		km/h	27.4	29.0	27.4	29.0
	5-1-1	Travel speed, with / without load backwards (2)		km/h	On request		On request	
	5-2	Lifting speed, with / without load		m/s	0.36	0.40	0.36	0.40
	5-3	Lowering speed with / without load		m/s	0.50	0.48	0.50	0.48
	5-5	Drawbar pull - 1.6 km/h 1 mph, with / without load		kN	99	102	99	101
	5-5-1	Drawbar pull - stall, with / without load		kN	111	114	111	114
	5-7	Gradeability - 1.6 km/h 1 mph, with / without load		%	33	37	31	35
5-7-1	Gradeability - stall, with / without load		%	38	37	36	35	

- (1) Based on Stage IV engine and standard pin type carriage
(2) Travel speed unladen limited at 25 km/h as factory default

H10XD12 / H16XD6 SPECIFICATIONS



			H10XD12		H16XD6			
GENERAL	1-1	Manufacturer		HYSTER		HYSTER		
	1-2	Model designation		H10XD12		H16XD6		
	1-3	Powertrain / drivetrain		Diesel		Diesel		
	1-4	Operator type		Seated		Seated		
	1-5	Load capacity at load centre, nominal (1)	Q	kg	10,500		16,500	
	1-6	Load centre distance	c ₁	mm	1,200		600	
	1-8	Load distance	x	mm	889		889	
	1-9	Wheelbase	y	mm	3,300		3,300	
	WEIGHT	2-1	Service weight (1)		19,356		20,008	
2-2		Axle loading with load, front / rear		kg	27,342	2,514	33,853	2,655
2-3		Axle loading without load, front / rear		kg	10,195	9,161	9,908	10,100
WHEELS	3-1	Tyre type		Pneumatic		Pneumatic		
	3-2	Tyre size, front		12.00-20 20PR		12.00-20 20PR		
	3-3	Tyre size, rear		12.00-20 20PR		12.00-20 20PR		
	3-5	Wheels, number front / rear (x = driven wheels)		4X / 2		4X / 2		
	3-6	Tread, front	b ₁₀	mm	1,842		1,842	
	3-7	Tread, rear	b ₁₁	mm	2,000		2,000	
DIMENSIONS	4-1	Mast tilt, forward / backward	α/β	deg	15° / 12°		15° / 12°	
	4-2	Height, mast lowered	h ₁	mm	4,193		4,193	
	4-3	Free lift	h ₂	mm	0		0	
	4-4	Lift	h ₃	mm	4,910		4,910	
	4-5	Height, mast extended	h ₄	mm	6,648		6,648	
	4-7	Height of overhead guard (closed cab)	h ₆	mm	3,083		3,083	
	4-7-1	Height of overhead guard (closed cab)	h ₆	mm	3,110		3,110	
	4-7-2	Height of overhead guard (closed cab w/ strobe light)	h ₆	mm	3,110		3,110	
	4-7-3	Height of overhead guard (closed cab w/ work lights)	h ₆	mm	3,205		3,205	
	4-7-4	Height of overhead guard (closed cab w/ work lights)	h ₆	mm	3,259		3,259	
	4-7-5	Height of overhead guard (closed cab w/ aircon & strobe light)	h ₆	mm	3,235		3,235	
	4-8	Seat height to SIP	h ₇	mm	1,903		1,903	
	4-12	Coupling height	h ₁₀	mm	717		717	
	4-16	Overhang	l ₅	mm	809		809	
	4-19	Overall length	l ₁	mm	7,438		6,828	
	4-20	Length to face of forks	l ₂	mm	4,998		4,998	
	4-21	Overall width	b ₂	mm	2,541		2,541	
	4-22	Fork dimensions ISO 2331	s/e/l	mm	90 / 200 / 2.440		90 / 200 / 1.830	
	4-23	Fork carriage type			85 mm pin type carriage		85 mm pin type carriage	
	4-24	Fork carriage width	b ₃	mm	2,496		2,496	
	4-25	Distance between fork-arms	b ₅	mm	470	2,420	470	2,420
	4-30	Sideshift	b ₈	mm	0		0	
	4-31	Ground clearance, laden, below mast	m ₁	mm	245		245	
	4-32	Ground clearance, centre of wheelbase	m ₂	mm	341		341	
	4-33	Load dimension b ₁₂ × l ₆ crossways		mm	1,200	1,200	1,200	1,200
	4-34-1-2	Aisle width, with 200 mm operating clearance	Ast	mm	8,073		6,873	
	4-34-1-3	Aisle width, with 10% operating clearance	Ast	mm	8,660		7,340	
4-35	Outside turning radius	W _a	mm	4,584		4,584		
4-36	Internal turning radius	b ₁₃	mm	1,890		1,890		
PERFORMANCE	5-1	Travel speed, with / without load (2)		km/h	27.4	29.0	27.4	29.0
	5-1-1	Travel speed, with load locked / without load (2)		km/h	On request		On request	
	5-2	Lifting speed, with / without load backwards		m/s	0.36	0.40	0.36	0.40
	5-3	Lowering speed with / without load		m/s	0.50	0.48	0.50	0.48
	5-5	Drawbar pull - 1.6 km/h 1 mph, with / without load		kN	100	101	98	101
	5-5-1	Drawbar pull - stall, with / without load		kN	112	114	111	113
	5-7	Gradeability - 1.6 km/h 1 mph, with / without load		%	36	34	29	38
5-7-1	Gradeability - stall, with / without load		%	41	34	32	38	

(1) Based on Stage IV engine and standard pin type carriage

(2) Travel speed unladen limited at 25 km/h as factory default

> MAST AND CAPACITY INFORMATION

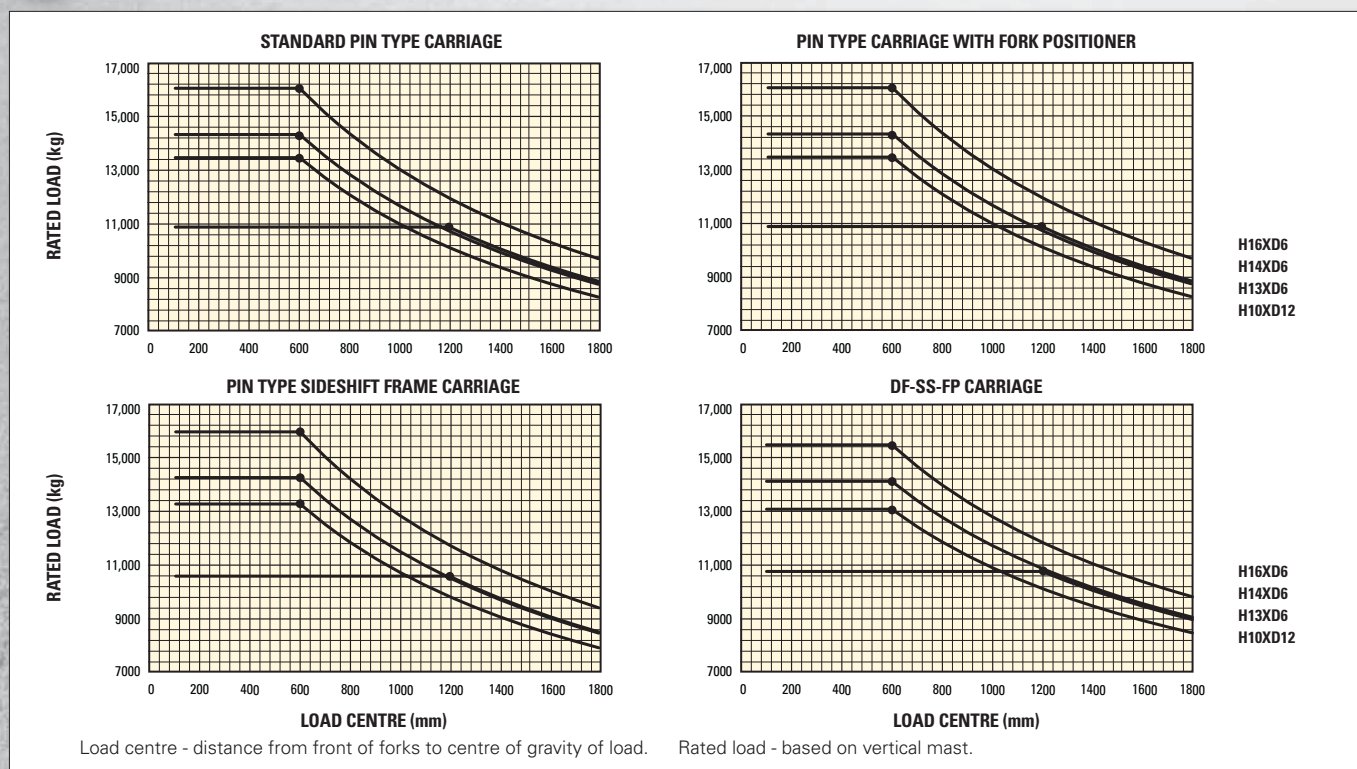
H13XD6 - H14XD6 RATED CAPACITY KG@ 600 MM LOAD CENTRE

	Lift height $h_3 + s$ (mm)	Lowered height h_1 (mm)	Free lift height $h_2 + s$ (m)	Extended height h_4 (mm)	Standard pin type carriage (kg)		Sideshift frame pin type carriage (kg)		QD DFSSFP carriage (kg)	
					H13XD6	H14XD6	H13XD-6	H14XD6	H13XD6	H14XD6
2 STAGE NFL	2750	3068	0	4398	13,500	14,500	13,400	14,500	13,100	14,400
	3000	3193	0	4648	13,500	14,500	13,400	14,500	13,100	14,400
	3250	3318	0	4898	13,500	14,500	13,400	14,500	13,100	14,400
	3500	3443	0	5148	13,500	14,500	13,400	14,500	13,100	14,400
	3750	3568	0	5398	13,500	14,500	13,400	14,500	13,100	14,400
	4000	3693	0	5648	13,500	14,500	13,400	14,500	13,100	14,400
	4500	3943	0	6148	13,500	14,500	13,400	14,500	13,100	14,400
	4750	4068	0	6398	13,500	14,500	13,400	14,500	13,100	14,400
	5000	4193	0	6648	13,500	14,500	13,400	14,500	13,100	14,400
	5500	4443	0	7148	13,320	14,320	13,160	14,320		
	6000	4693	0	7648	13,100	14,140	12,940	14,140	Capacity will vary based on side shift and back-tilt	
	6250	4818	0	7898	12,980	14,040	12,840	14,040		
6500	4943	0	8148	12,880	13,940	12,720	13,940			
7000	5193	0	8648	12,600	13,740	12,460	13,740			

H10XD12 - H16XD6 RATED CAPACITY KG@ 600 MM LOAD CENTRE

	Lift height $h_3 + s$ (mm)	Lowered height h_1 (mm)	Free lift height $h_2 + s$ (m)	Extended height h_4 (mm)	Standard pin type carriage (kg)		Sideshift frame pin type carriage (kg)		QD DFSSFP carriage (kg)	
					H10XD12	H16XD6	H10XD12	H16XD6	H10XD12	H16XD6
2 STAGE NFL	2750	3068	0	4398	10,500	16,500	10,400	16,400	10,200	16,100
	3000	3193	0	4648	10,500	16,500	10,400	16,400	10,200	16,100
	3250	3318	0	4898	10,500	16,500	10,400	16,400	10,200	16,100
	3500	3443	0	5148	10,500	16,500	10,400	16,400	10,200	16,100
	3750	3568	0	5398	10,500	16,500	10,400	16,400	10,200	16,100
	4000	3693	0	5648	10,500	16,500	10,400	16,400	10,200	16,100
	4500	3943	0	6148	10,500	16,500	10,400	16,400	10,200	16,100
	4750	4068	0	6398	10,500	16,500	10,400	16,400	10,200	16,100
	5000	4193	0	6648	10,500	16,500	10,400	16,400	10,200	16,100
	5500	4443	0	7148	10,340	16,320	10,220	16,200		
	6000	4693	0	7648	10,180	16,120	10,060	15,920	Capacity will vary based on side shift and back-tilt	
	6250	4818	0	7898	10,100	16,000	9,980	15,800		
6500	4943	0	8148	10,020	15,880	9,900	15,680			
7000	5193	0	8648	9,820	15,600	9,700	15,400			

> RATED CAPACITIES



GENERAL	1-1	Manufacturer			HYSTER
	1-2	Model designation			H13XD6 / H14XD6 / H10XD12 / H16XD6
	1-3	Powertrain / drivetrain			Diesel

ENGINE	7-1	Engine manufacturer / model			Cummins / QSB 6.7
	7-1a	EPA / CE compliance			Stage IIIA
	7-2	Engine power output according to ISO 1585		kW	116
	7-2-1	Engine power output - Peak		kW	116
	7-3	Rated speed		min ⁻¹	2,300
	7-3-1	Engine torque @rpm (1/min)		Nm/min ⁻¹	597 @ 1,500
	7-4	Number of cylinders / displacement		# / cm ³	6 / 6,700
	7-8	Alternator output		Amps	120
	7-9	Electrical system voltage		V	24
	7-10	Battery voltage, rated capacity		V / Ah	24 / 102

DRIVE	8-1	Drive control / Transmission		Type / #	Hydrodynamic transmission
	8-2	Transmission manufacturer / type		Type / #	ZF / WG161
	8-4	Transmission speeds forward / backward		#	3 / 3
	8-5	Coupling		Type	Torque Converter
	8-6	Wheel drive / drive axle manufacturer / type		Type / #	Kessler D81
	8-11	Service brake		Type	Oil immersed (wet) disc
	8-12	Parking brake		Type	Spring applied, dry disc on drive axle

MISC	10-1	Operating pressure for attachments		bar	22.5
	10-2	Oil volume for attachments		l/m	100
	10-3	Hydraulic tank capacity		l	140
	10-4	Fuel tank capacity		l	158
	10-4-1	DEF/AdBlue Tank capacity		l	19
	10-5	Steering design			Hydraulic power steering
	10-6	Number of steering rotation			4.5
	10-7	Sound pressure level at driver's seat	Lpaz	dB(A)	TBC
	10-7-1	Sound power level during the working cycle	Lwaz	dB	108.5
	10-7-1	Towing coupling, model / type			Yes / Pin

NOTES:

Specifications are affected by the condition of the vehicle and how it is equipped, as well as the nature and condition of the operating area. Inform your dealer of the nature and condition of the intended operating area when purchasing your Hyster® truck.

- (1) Based on Stage IV engine and standard pin type carriage
- (2) Travel speed laden limited at 25 km/h as factory default

All capacities are according to EN1551.

NOTICE:

Care must be exercised when handling elevated loads. Operators must be trained and must read, understand and follow the instructions contained in the Operating Manual.

All values are nominal values and they are subject to tolerances. For further information, please contact the manufacturer.

Hyster products are subject to change without notice.

Lift trucks illustrated may feature optional equipment.

Values may vary with alternative configurations.

CERTIFICATION: Hyster lift trucks meet the design and construction requirements of B56.1-1969, per OSHA Section 1910.178(a)(2), and also comply with the B56.1 revision in effect at time of manufacture. Certification of compliance with the applicable ANSI standards appears on the lift truck. Performance specifications are for a truck equipped as described under Standard Equipment on this Technical Guide. Performance specifications are affected by the condition of the vehicle and how it is equipped, as well as by the nature, condition of the operating area, proper service and maintenance of the vehicle. If these specifications are critical, the proposed application should be discussed with your dealer.

NOTE: Specifications, unless otherwise listed, are for a standard truck without optional equipment.



Safety: This truck conforms to the current EU and ANSI requirements.

Specification data is based on VDI 2198.

> FEATURES AND OPTIONS

PERFORMANCE	STD	OPT
Cummins QSB 6.7L Stage IIIA diesel engine 116 kW	X	
Stage IIIA / Tier 3 compliant	X	
Wastegate turbocharger	X	
120 amp alternator	X	
Powertrain protection system		X
Heavy duty air intake		X
Heavy duty air intake (raised)		X
High mount exhaust	X	
ZF Transmission WG161 3-speeds forward/3-speeds reverse auto-shifting	X	
Kessler D81 drive axle with wet disc brakes	X	
DRIVE	STD	OPT
Travel speed limiter - unconditional (adjustable)	X	
Travel speed limiter - loaded (adjustable)	X	
Travel Speed Limiter pre-set to 10 mph / 16 km/h		X
Travel Speed Limiter pre-set to 12 mph / 20 km/h		X
12.00 - 20 20PR Trelleborg Pneumatic Bias Ply drive and steer tyres	X	
12.00 - R20 Michelin XZM Radial drive and steer tyres		X
12.00 - R20 Trelleborg Radial drive and steer tyres		X
12.00 - 20 Pneumatic Shaped Solid drive and steer tyres		X
Spare wheels and tyres		X
LIFT	STD	OPT
111cc dual pump hydraulic system	X	
On-demand load sensing hydraulic system	X	
Automatic throttle-up when lifting (in neutral or inching)	X	
Variable lap mast for low roller forces	X	
2 Stage Non Free Lift mast	X	
2 Stage Full Free Lift mast		X
3 Stage Full Free Lift mast		X
Mast tilt - 5° Forward / 5° Back		X
Mast tilt - 5° Forward / 6° Back		X
Mast tilt - 5° Forward / 12° Back		X
Mast tilt - 15° Forward / 10° Back		X
Mast tilt - 15° Forward / 12° Back	X	
Mast tilt - 20.5° Forward / 7° Back		X
Hydraulic accumulator		X
Pressure compensated lowering		X
Hydraulic system temperature protection		X
HANDLING	STD	OPT
Short wheelbase (SPED)		X
Mast tilt indicator - mechanical		X
2500mm (98.5") Pin type standard carriage	X	
2500mm (98.3") Pin type carriage with simultaneous and independent fork positioner		X
2500mm (98.3") Pin type integral sideshift carriage		X
2500mm (98.3") Pin type integral sideshift carriage with simultaneous fork positioner		X
2500mm (98.3") Pin type integral sideshift carriage with simultaneous and independent fork positioner		X
2500mm (98.3") QD Hook type dual function sideshift carriage with simultaneous and Independent fork positioner		X

HANDLING (continued)	STD	OPT
2040mm (80") high load backrest		X
2500mm (98") high load backrest (for lumber applications)		X
1830mm x 90mm x 200mm (72" long x 3.5" thick x 7.9" wide) forks		X
2440mm (96") length pin type quick disconnect forks		X
Pin type forks (various sizes)		X
Pin type forks for lumber applications		X
Hook type quick disconnect DFSSFP forks (various sizes)		X
Hook type quick disconnect DFSSFP forks (various sizes)		X
ERGONOMICS	STD	OPT
Open module operator compartment (without doors and screens)	X	
Full steel cab operator compartment		X
Powered tilt operator compartment for service		X
Manual tilt operator compartment for service	X	
Isolated cabin mounting for low noise and vibration	X	
Operator presence system	X	
Mechanical suspension seat	X	
Deluxe air suspension seat		X
Low backrest seat	X	
High backrest seat		X
Cloth seat cover		X
Vinyl seat cover	X	
Seat heating		X
2-point high visibility seatbelt	X	
3-point high visibility seatbelt		X
Floor mat	X	
Coat hook	X	
Front, top and rear wipers	X	
"H"-pattern front wiper		X
"I"-pattern front wiper	X	
Front and rear window defrosters	X	
Laminated glass operator compartment front window	X	
Top window with armoured glass - FOPS certified (enclosed operator cabin)	X	
Steel bars under armoured glass top window (enclosed operator cabin)	X	
Tinted operator compartment windows (all)		X
Tinted operator compartment top window		X
Right side door	X	
Rain top		X
Lexan top window		X
Plexiglass shield in front of front window		X
Wire mesh installed on top of operator compartment		X
Vertical steel bar front window guard		X
Operator shield wire mesh		X
Multifunction display panel	X	
Touchpoint™ mini levers hydraulic control integrated in control arm	X	
Joystick hydraulic control integrated in control arm		X
Steering wheel without spinner knob		X
Steering wheel with spinner knob	X	
Directional control lever	X	

FEATURES AND OPTIONS



ERGONOMICS (continued)	STD	OPT
Hyster Monotrol pedal directional control		X
Directional control switch (integrated in arm rest)		X
Self-setting park brake		X
Manual park brake	X	
Interior wide angle mirrors	X	
Heater with 3 speed fan	X	
Diesel fueled cabin heater		X
Telescoping and tilting steering column	X	
DC/DC converter 24 volt/12 volt with socket	X	
DC/DC converter 24 volt/12 volt 2nd 12 volt socket		X
Air conditioning		X
Heavy duty air conditioning		X
Climate control		X
Reading light		X
Sun shades on top and rear		X
Trainer seat		X
Recirculation fan		X
Additional operator fan		X
Rear locking console		X
Accessory mounting post		X
Rear locking console in cab		X
Heated top window		X
Radio preparation set-up (wiring, two speakers and antenna)		X
15 000 kg hydraulic jack		X
IT console		X
Rear axle load indicator		X
VISIBILITY	STD	OPT
Exterior mirrors mounted to cab		X
Rear view camera system		X
Radar object detection system		X
Halogen work lights	X	
LED work lights		X
High Performance LED work lights		X
Two head lights mounted on front fenders	X	
Four work lights mounted on the outer mast	X	
Four forward work lights mounted on the cabin		X
Two rearward work lights mounted on the cabin	X	
LED stop/tail/brake lights	X	
Turn signals, hazard and marker lights (LED)	X	
"Empty seat" engine shutdown		X
Key switch start	X	
OPERATION	STD	OPT
Electric horn 105 dBA	X	
Visible alarm – Amber strobe light, switch and key switch activated*	X	
Audible alarm – reverse direction activated 82–102 dB(A), self-adjusting		X
Audible alarm – reverse direction white noise	X	
Forward / reverse motion alarm		X
Pedestrian awareness light (continuous)		X

OPERATION (continued)	STD	OPT
Pedestrian awareness light (directional)		X
Seatbelt interlock for engine start		X
Hydraulic load weighing system		X
Tyre pressure monitoring system		X
Lockable battery disconnect switch	X	
Battery jump start connector (NATO plug)		X
"Empty seat" engine shutdown		X
Key switch start	X	
Key switch start with seat belt interlock for engine start and operation		X
Electric circuit breakers		X
Non-lockable fuel cap	X	
Lockable fuel cap		X
Diesel fuel inlet strainer in filler neck		X
Hyster Tracker wireless asset management system		X
Hyster Tracker wireless asset management - Access / Verification		X
Hyster Tracker wireless asset management - Monitoring		X
Auto greasing system for basic truck and outer mast		X
Auto greasing system for base truck		X
Centralized greasing provision for upper chain sheaves	X	
24 volt electrical system	X	
Engine block heater 110 and 240 volt		X
Steer wheel lug nut protection		X
Front mud flaps		X
Rear mud flaps		X
4 Lifting eyes - 2 front and 2 rear		X
Wire mesh belly pan		X
Wire mesh and plates belly pan		X
Lifting eyes - 2 front and 2 rear		X
Wire mesh belly pan		X
Wire mesh and plates belly pan		X
APPEARANCE	STD	OPT
Hyster yellow paint base truck	X	
Special paint base truck		X
Operator compartment special paint (outside only)		X
Operator compartment special paint (complete cabin)		X
Hazard warning striping on counterweight		X
SUPPLEMENTAL	STD	OPT
Literature package	X	
Operator's manual	X	
CE certification*	X	
Warranty: 12 Months / 2,000 Hours Parts & Labour manufacturer's warranty		X
Warranty: 12 Months / 2,000 Hours Parts manufacturer's warranty	X	

*Standard or optional in selected markets. Other options available through Special Products Engineering Department (SPED). Contact Hyster for details.

> FRONT END EQUIPMENT

RANGE OF 2 STAGE NFL MASTS



RANGE OF PIN TYPE AND HOOK TYPE FORKS



2496MM PIN TYPE STANDARD CARRIAGE



**2496MM PIN TYPE CARRIAGE WITH SIMULTANEOUS AND INDEPENDENT FORK POSITIONER
(FOR LUMBER APPLICATIONS)**



2496MM PIN TYPE CARRIAGE WITH SIMULTANEOUS AND INDEPENDENT FORK POSITIONER



2496MM PIN TYPE INTEGRAL SIDESHIFT FRAME CARRIAGE



**2498MM QD HOOK TYPE DUAL FUNCTION SIDESHIFT WITH -
SIMULTANEOUS AND INDEPENDANT FORK POSITIONER**



HYSTER® DEALERS



Contact your nearest Hyster Dealership
by visiting www.hyster.com.au



Contact your local Hyster Dealer

HYSTER ASIA PACIFIC

1 Bullecourt Avenue, Milperra NSW, Australia 2214

Tel: +61 (2) 9795 3800 Fax: +61 (2) 9792 8484

No. 49, Jalan Astaka V8/84A, Bukit Jelutong,

40150 Shan Alam, Selangor, Malaysia

Tel: +603 7831 3385

hyster.com/pacific/en-au


hyster.com/asia/en-sg



[/Hysterasiapacific](https://www.facebook.com/Hysterasiapacific)



[@Hyster_AP](https://twitter.com/Hyster_AP)

 is a Registered Trademark.

HYSTER is a Registered Trademark. STRONG PARTNERS. TOUGH TRUCKS. EZXCHANGE, HSM and VISTA are trademarks in the United States and certain other jurisdictions. © Hyster Asia Pacific 2016. All rights reserved. Printed in Australia. Specifications and details in this brochure are subject to change without prior notification. Please consult with your Hyster dealer for the most up to date information and to confirm exact capacities.

3990403 Rev. 02-10/19-TLC

HYSTER.COM.AU